

# YEFB Hydro Blower

2 & 4 pipe system

A complete range from 3.2 kW up to 23.3 kW



**CSR00 (Wall mounted)**  
Fan speed selector



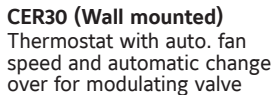
**CER00 (Wall mounted)**  
Thermostat with manual fan speed and automatic change over



**CMR00 (Wall mounted)**  
Thermostat with manual fan speed and S/W change over



**CER20 (Wall mounted)**  
Thermostat with auto. fan speed and automatic change over



**CER30 (Wall mounted)**  
Thermostat with auto. fan speed and automatic change over for modulating valve

## Features

- Horizontal air return
- Twin centrifugal fans
- High static pressure up to 250 Pa
- Air distribution plenum
- Electric heater option
- Optional paint finish



**FX03 Terminal unit controller**  
BacNET and N2 Metasys network compatible

## Technical features at 50 Pa external static pressure

Model	YEFB	130	140	230	240	330	340	430	440
Total cooling capacity [kW] (1)	max	6.00	6.91	8.81	10.60	11.15	14.06	17.86	23.31
	med	5.13	5.81	7.27	8.55	9.39	11.58	16.28	20.95
	min	3.22	3.49	6.08	7.01	7.51	9.00	14.39	18.20
Heating capacity [kW] (2)	max	7.89	8.90	12.34	14.62	15.20	18.84	24.38	30.36
	med	6.61	7.32	9.83	11.36	12.48	15.06	21.83	26.79
	min	3.96	4.20	8.01	9.04	9.70	11.33	18.90	22.77
Air volume [m³/h]	max	1153	1130	2158	2116	2639	2587	4129	4048
	med	916	898	1553	1523	1994	1955	3505	3436
	min	494	484	1174	1151	1422	1394	2853	2797
Max. available external static pressure [Pa]		100	100	175	175	250	250	250	250
	max		49.3		55.6		58.7		65.4
	med		48.3		52.6		54.2		63.1
	min		44.4		49.1		48.5		61.5
Power supply [V-ph-Hz]		230 - 1- 50							
Water connections		G 1/2" F	G 1/2" F	G 1/2" F	G 1/2" F	G 1/2" F	G 1/2" F	G 1" M	G 1" M

(1) Room temperature 27°C d.b., 48% R.H. - Water temperature 7/12 °C

(2) Room temperature 20°C, 50% R.H. - Water inlet temperature: 50°C - Water flow values as Cooling, accordingly to the EUROVENT standards and UNI ENV 1397

(3) Sound pressure level in 1 meter distance open field and 0 Pa external static pressure

# YEFB Hydro Blower

3.2 to 23.3 kW

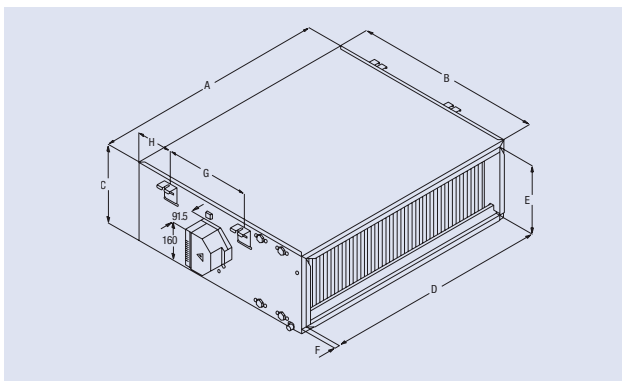


## Compatibility table / Codes

Models	YEFB 130-140	YEFB 230-240	YEFB 330-340	YEFB 430-440
<b>Options (factory fitted)</b>				
Auxiliary hot water coil (2 or 3 rows)	•	•	•	•
Paint finish	•	•	•	•
F5 Filter	•	•	•	•
<b>Accessories (supplied loose)</b>				
<b>Valve kits 3 ways 4 ports</b>				
On/off 2 and 4 pipes		J3B2		J3C2
Modulating 2 and 4 pipes		J3BM		J3CM
<b>Electrical heaters</b>				
Capacity (W)		3000	6000	9000
<b>Controls</b>				
CSR00 fan speed selector	•	•	•	•
CMR00 2 and 4 pipe, on/off valves	•	•	•	•
CER00 2 and 4 pipe, on/off valves (or El. heater)	•	•	•	•
CER20 2 and 4 pipe, on/off valves (or El. heater)	•	•	•	•
CER30 2 and 4 pipe, modulating valves	•	•	•	•
Discharge plenum		KPM 100-200	KPM 300	KPM 400
Condensate pump			KPC 100-400	

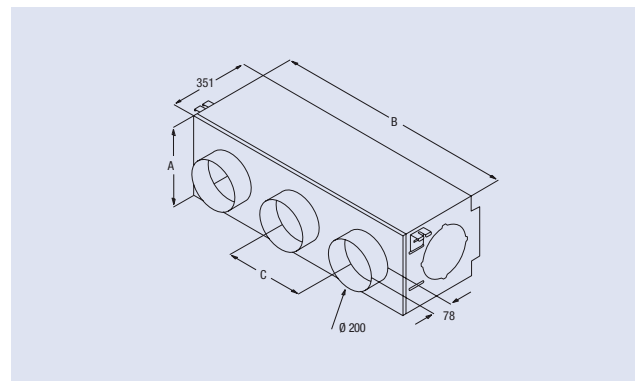
• Available

## Dimensions and minimum spaces



Mod.	A	B	C	D	E	F	G	H
100-200	990	800	330	949	290	21.5	362	158
300	1 240	900	350	1 199	309	21.5	462	158
400	1 630	900	440	1 592	398	21.5	450	158

All dimensions in mm



Mod.	A	B	C
100-200	330	954	306
300	350	1 204	300
400	440	1 597	311

All dimensions in mm

