

YFCC Coanda Hydro Cassette

2 & 4 pipe system

A complete range from 0.9 kW to 4.0 kW



Wired controls



BR
Remote three speeds controller

TR
BR + Electronic thermostat
and Summer/Winter switch

ATR
Automatic TR



DTR
Digital Automatic
Remote controller

TMO 503 SV2
Digital Automatic
Remote controller
to be mounted in the standard
light wall box

DRC - DI
Centralized controller
up to 60 terminals



Infrared control

Features

- Coanda effect units, allowing easier and cheaper installation
- Cooling duty from 0.9 to 4.0 kW
- 2 & 4 (+1 or +2) pipes systems in all range
- 3 sizes: 600 x 600, 600 x 1000 & 600 x 1200
- 2/3 way valves fitted or supplied loose in all range
- Left and right hand (optional) water connections
- 6 fan speeds (3 pre-wired)
- Air throw till 7.6m (cooling) and 9.5m (heating)



Coanda effect

YFCC Coanda Hydro Cassette

0.9 to 4.0 kW



Technical features 2 pipe system

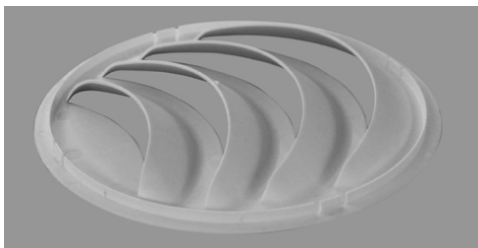
Model		YFCC 130	YFCC 140	YFCC 230	YFCC 240	YFCC 330	YFCC 340
Cooling capacity	kW	0.9 / 1.1 / 1.5	1.0 / 1.2 / 1.7	1.4 / 1.6 / 2.4	1.4 / 1.7 / 2.6	2.0 / 2.8 / 3.3	2.5 / 3.6 / 4.0
Sensible cooling capacity	kW	0.7 / 0.8 / 1.2	0.7 / 0.9 / 1.3	1.0 / 1.2 / 1.8	1.0 / 1.2 / 1.9	1.4 / 2.1 / 2.5	1.8 / 2.6 / 3.0
Heating capacity	kW	1.1 / 1.3 / 1.9	1.1 / 1.4 / 2.1	1.6 / 1.9 / 2.9	1.7 / 2.0 / 3.1	2.3 / 3.4 / 4.0	2.9 / 4.2 / 4.8
Power supply	V/Ph/Hz	230 / 1 / 50 + E					
Airflow	m ³ /h	140 / 180 / 280	140 / 180 / 280	200 / 240 / 380	200 / 240 / 380	290 / 440 / 540	360 / 540 / 620
Fan	W	16 / 22 / 49	16 / 22 / 49	24 / 27 / 44	24 / 27 / 44	27 / 42 / 59	33 / 59 / 72
Pressure drop in cooling	kPa	2.4 / 3.3 / 6.1	4.7 / 6.7 / 12.9	2.9 / 3.9 / 7.6	4.4 / 6.0 / 12.1	6.4 / 12.1 / 16.2	6.7 / 12.6 / 15.5
Pressure drop in heating	kPa	1.8 / 2.6 / 4.9	3.7 / 5.4 / 10.7	2.3 / 3.1 / 6.3	3.5 / 4.8 / 10.2	5.2 / 9.8 / 13.4	5.5 / 10.0 / 12.6
Sound power level	dB(A)	35 / 41 / 52	35 / 41 / 52	33 / 36 / 48	33 / 36 / 48	35 / 46 / 52	41 / 52 / 55
Sound pressure level *	dB(A)	26 / 32 / 43	26 / 32 / 43	24 / 27 / 39	24 / 27 / 39	26 / 37 / 43	32 / 43 / 46
Dimensions (H x W x D)	mm	309 x 592 x 592		309 x 592 x 970		309 x 592 x 1192	
Net weight	kg	16	18	33	35	42	45

* The sound pressure levels are 9 dB(A) lower than the sound power levels and apply to the reverberant field of a 100 m³ room and a reverberation time of 0.5 sec.
 Cooling capacities based on 7/12°C EWT - Indoor temperature 27°C DB / 19°C WB
 Heating capacities based on 50°C EWT at nominal flow rate Indoor temperature 20°C
 Water flow rate as for the cooling conditions
 All data are in Low / Medium / High speeds pre-wired

Technical features 4 pipe system

Model		YFCC 130+1	YFCC 230+1	YFCC 330+1
Cooling capacity	kW	0.9 / 1.1 / 1.5	1.4 / 1.6 / 2.4	2.0 / 2.8 / 3.3
Sensible cooling capacity	kW	0.7 / 0.8 / 1.2	1.0 / 1.2 / 1.8	1.4 / 2.1 / 2.5
Heating capacity	kW	0.9 / 1.1 / 1.5	1.5 / 1.7 / 2.4	2.1 / 2.9 / 3.3
Power supply	V/Ph/Hz	230 / 1 / 50 + E		
Airflow	m ³ /h	140 / 180 / 280	200 / 240 / 380	290 / 440 / 540
Fan	W	16 / 22 / 49	24 / 27 / 44	27 / 42 / 59
Pressure drop in cooling	kPa	2.4 / 3.3 / 6.1	2.9 / 3.9 / 7.6	6.4 / 12.1 / 16.2
Pressure drop in heating	kPa	1.6 / 2.1 / 3.6	0.9 / 1.2 / 2.0	2.0 / 3.4 / 4.3
Sound power level	dB(A)	35 / 41 / 52	33 / 36 / 48	35 / 46 / 52
Sound pressure level *	dB(A)	26 / 32 / 43	24 / 27 / 39	26 / 37 / 43
Dimensions (H x W x D)	mm	309 x 592 x 592	309 x 592 x 970	309 x 592 x 1192
Net weight	kg	19	38	48

* The sound pressure levels are 9 dB(A) lower than the sound power levels and apply to the reverberant field of a 100 m³ room and a reverberation time of 0.5 sec.
 Cooling capacities based on 7/12°C EWT - Indoor temperature 27°C DB / 19°C WB
 Heating capacities based on 70/60°C EWT - Indoor temperature 20°C
 All data are in Low / Medium / High speeds pre-wired



Round diffuser

The YFCC one-way cassette units are supplied with round diffusers suitably designed to generate an airflow with "coanda" effect. The direction of diffuser air flow can be adjusted on site.

Options & Accessories

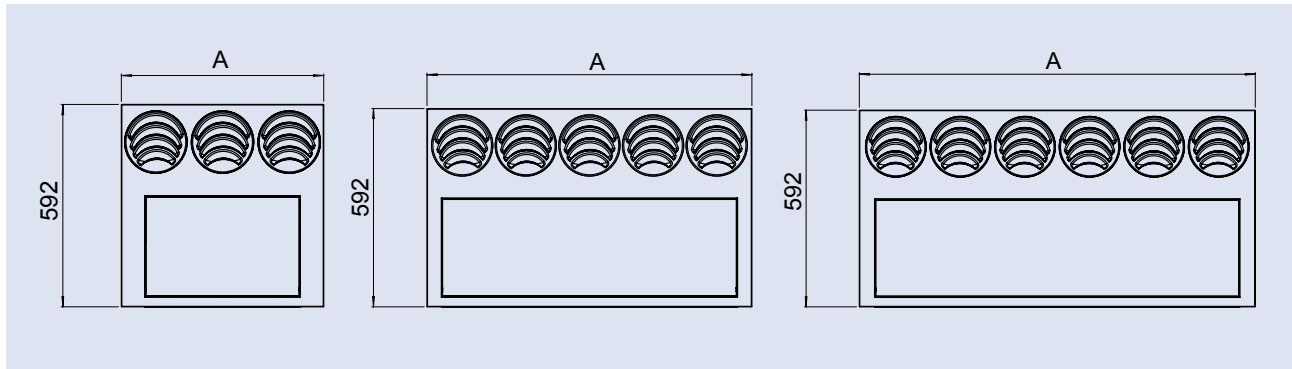
Compatibility table / Codes

Model (Panel not included)		YFCC 130	YFCC 140	YFCC 230	YFCC 240	YFCC 330	YFCC 340
Cassette YFCC	2 pipe system	0064001K	0064011K	0064002K	0064012K	0064003K	0064013K
	4 pipe system (+1)	0064021K	0064031K	0064022K	0064032K	0064023K	0064033K
	4 pipe system (+2)	0064041K	-	0064042K	-	0064043K	-
Options (Factory fitted)							
Right hand connection		Contact Johnson Controls					
Valves (220V On/Off) (factory fitted)							
3 way valve + mounting kit for 2 pipe models (factory fitted)	9066561		•				-
	9060471		-				•
3 way valve + additional battery (factory fitted)	9060472			•			
2 way valve + additional battery (factory fitted)	9060476	Contact Johnson Controls					
Controls							
Infrared control	9060175			•			
	9060166			•			
Accessories (supplied loose)							
Valves (220V On/Off)							
3 way valve + mounting kit for 4 pipe models (not fitted)	9066560		•				-
	9060474		-				•
3 way valve + additional battery not fitted	9060475			•			
2 way valve + additional battery not fitted	9060478	Contact Johnson Controls					
	9060479	Contact Johnson Controls					
Other type of valves							
Other valves		Contact Johnson Controls					
Wired controls							
Remote three speed control BR	9060540			•			
Remote three speed control + electronic thermostat and S/W switch TR	9060541			•			
Automatic speed control with electronic thermostat and S/W - ATR	9060542			•			
Automatic remote control with electronic thermostat, S/W switch and liquid crystal display DTR	9060521			•			
Automatic speed control with electronic thermostat to be mounted in the light wall box TMO-503-S	9060170			•			
Automatic speed control with electronic thermostat to be mounted in the light wall box TMO-503-SV2	9060172			•			
Remote thermostat with S/W switch (for 2 pipe system only)	9060174						
Receiver REC-S	9079110			•			
Receiver (slave) for control DTR RECD	9060139			•			
Low temperature cut out thermostat TME	3021091			•			
Low temperature cut out thermostat TMM	9053048			•			
Change over CH 15-25	9053049			•			
Infrared and Free controls							
Infrared remote control with not fitted electronic board for versions CD only IRC-S	9060176			•			
IRC-S control (not fitted on the unit) with ETN +/-3%	9060167			•			
Low temperature cut out CH	9079103			•			
Digital remote control up to 60 multifunction units	9079102			•			
Maxinet	9079104			•			
Board 8 relays for Maxinet	9079105			•			
Remote control FREE-COM	9060572			•			
Free control	9060571			•			
Not mounted Electronic board FREE-UPS	9060570			•			
Temperature sensor FREE-SEN	9060573			•			
Low temperature cut out FREE-NTC	3021090			•			

Dimensions

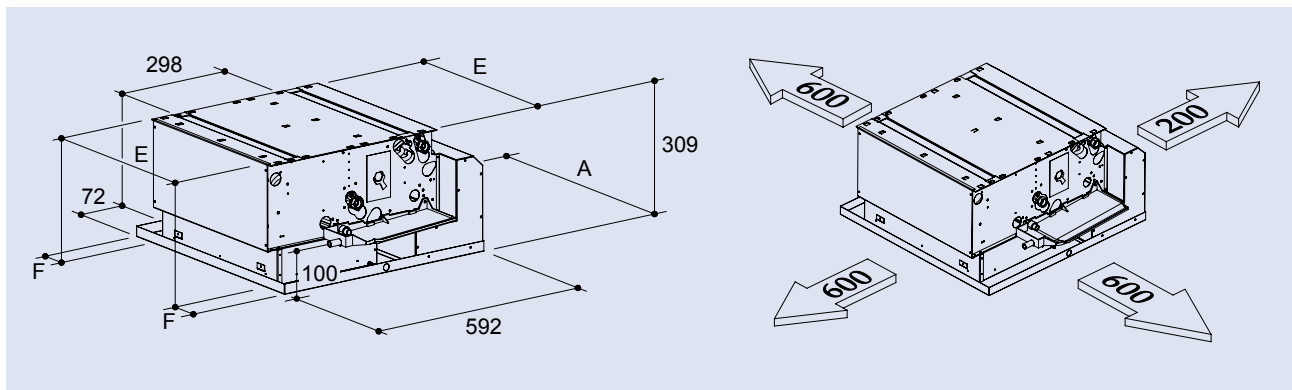


Diffusers



All dimensions in mm. Drawings not a scale.

YFCC 130 to 340

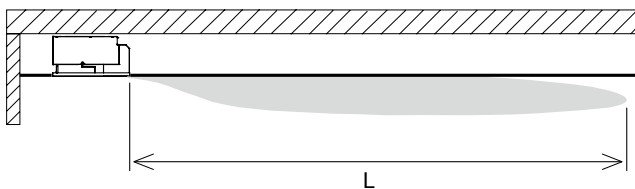


All dimensions in mm. Drawings not a scale.

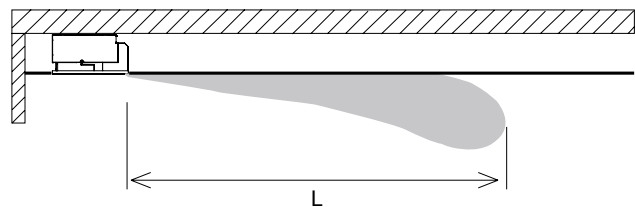
Model	130 / 140	230 / 240	330 / 340
A	592	970	1 192
E	454	884	1 099
F	78	43	46,5

Air Throw

C1 - Heating



C2 - Cooling



Model	YFCC 1						YFCC 2						YFCC 3						
	1	2	3	4	5	6	1	2	3	4	5	6	1	2	3	4	5	6	
Air throw L (m)	C1	3.8	4.5	5.8	6.3	6.8	7.2	4	5	6.1	7	8	9	4.5	5.2	6.3	7.5	8.8	9.5
	C2	3	3.6	4.6	5	5.4	5.7	3.2	4	4.8	5.6	6.4	7.2	3.6	4.1	5	6	7	7.6