



# ECOFRIO v2

## YLCA / YLHA 40 to 150



### Technical features

T Three phases supply P Hydro Pack H Heat pump

Model	YLCA / YLHA									
	40 T-TP	50 T-TP	60 T-TP	80 T-TP	100 T-TP	120 T-TP	150 T-TP			
Performance	Cooling capacity c/o units (1)	kW		39.6	52.1	60.5	77.6	98	119	151
	Total Input Power (1) (3)	kW		13.26	17.96	19.6	26.6	33.8	40	53.6
	EER (1)			2.99	2.9	3.09	2.92	2.9	2.98	2.82
	ESEER (1)			3.31	3.24	3.44	3.26	3.56	3.80	3.60
	Cooling capacity h/p units (1)	kW		37.8	52	60.5	72.2	96	114	145
	Heating capacity h/p units (1)	kW		38.6	52.5	59.6	74.7	104	119.6	150
	Total Input Power cool/heat mode (1) kW			13.3 / 12.6	17.3 / 17.9	19.6 / 19.8	26 / 26.4	35.5 / 37.1	43.2 / 39.6	50.6 / 53.5
	EER / COP (1)			2.84/3.14	3/2.93	3.09/3.01	2.78/2.83	2.7 / 2.8	2.64/3.02	2.87/2.8
	ESEER (1)			3.30	3.24	3.44	3.26	3.65	3.71	3.7
	Capacity steps	%		0 / 100	0-50-100			0-25-50-75-100		
	Sound power level STD / LN	dB(A)		81/76	83 / 78	85 / 80	86 / 82	86 / 82	86 / 82	87 / 83
	Sound press. level 10 m STD / LN	dB(A)		54 / 48	56 / 50	57 / 51	60 / 54	57 / 54	58 / 54	59 / 55
Compressor	Type	Scroll								
	Quantity	1		2			3		4	
Air side heat exchanger	Fans quantity	2		3			4			
	Working ambient temp. cool. / heat. mode (4)	-18°C ~ 46°C / -10°C ~ 20°C								
Water side heat exchanger	Type	Single Plate Heat Exchanger			Dual Plate Heat Exchanger					
	Unit water volume (2)	Litres		131	188	194	285	193	195	214
	Pump Type	Multistage horizontal pumps								
	Nominal water flow	l/h		6 820	8 960	10 400	13 350	17 600	20 470	25 970
	Available pressure (1) (2)	kPa		105	108	108	123	187	202	186
	Pressure drop (1) (3)	kPa		75	40	51	61	54	32	27.5
	Working range water leaving temperature cooling / heating (5)	-5°C ~ 15°C / 30°C ~ 50°C								
Dimensions & Weight	Water connections (2)	inch		1 1/4"	2"			2 1/2"		
	Height / Width / Depth	mm		1573/1500/822	1600 / 1011 / 2104		1600/1118/2944	2190 / 1101 / 3416		2263/1101/3770
	Weight without pack / pack c/o	kg		340 / 380	524 / 580	555 / 611	715 / 785	1 124 / 1 220	1 190 / 1 286	1 415 / 1 503
	Weight without pack / pack h/p	kg		337 / 397	537 / 593	568 / 624	735 / 805	1 154 / 1 250	1 220 / 1 316	1 445 / 1 703
Electrical features	Voltage / Phases / Frequency	V/ph/hz		400 / 3 / 50+N+E						
	Maximum Unit current	A		33	46.2	49.2	70.5	80	108	120

YLCA: Cooling only units models. YLHA: Air to water heat pump models.

(1) net values at Eurovent nominal conditions (2) version P with hydro kit with filter (3) version without hydro kit (4) -18°C with LAK option (5) below 6°C with glycol

Nominal conditions: Cooling capacities in kW given for 7°C water leaving temperature Δt 5°C and 35°C ambient temperature

Heating capacities in kW given for 45°C water leaving temperature and 7°C ambient temperature

### Compatibility table / Codes

Model	40 TP	50 TP	60 TP	80 TP	100 TP	120 TP	150 TP
YLCA Cooling only unit (Pack included)	S668554084	S668525182	S668526182	S668528182	S668521182	S668551156	S668551507
YLHA Heat pump unit (Pack included)	S668654084	S668625182	S668626182	S668628182	S668621182	S668651156	S668651506

Model	40 T	50 T	60 T	80 T	100 T	120 T	150 T
YLCA Cooling only unit (without Pack)	S668554080	S668525180	S668526180	S668528180	S668521180	S668551154	S668551503
YLHA Heat pump unit (without Pack)	S668654080	S668625180	S668626180	S668628180	S668621180	S668651154	S668651504

Use this unit code when a factory fitted option is NOT required

#### Accessories (Supplied loose)

AVM mounting	S613029002	S613026080	S613028180	S613021580
Mechanical flow switch	S611992021			
Water Filter *	S611300150	S611300170		S611300190
Remote control	S613802011			
Remote terminal	S613802231			-
Cable for remote connection of the terminal	-			S613802241
B.M.S. Communication	S613802041			S613802051

Model	40 TP	50 TP	60 TP	80 TP	100 TP	120 TP	150 TP
YLCA Cooling only unit (Pack included)	S668000226	S668000247	S668000251	S668000255	S668000259	S668000107	S668000111
YLHA Heat pump unit (Pack included)	S668000228	S668000248	S668000252	S668000256	S668000260	S668000131	S668000135

Model	40 T	50 T	60 T	80 T	100 T	120 T	150 T
YLCA Cooling only unit (without Pack)	S668000038	S668000245	S668000249	S668000253	S668000257	S668000105	S668000109
YLHA Heat pump unit (without Pack)	S668000039	S668000246	S668000250	S668000254	S668000258	S668000129	S668000133

Use this unit code when a factory fitted option is required

#### Options (Factory fitted)

Low Noise version	NA	S613990650	S613990850	S613991050	S613991285	S613991584
Softstart	S606744692	S606744693			S606744694	
Dual pumps	NA	S613990540	S613990640	S613990840	S613991040	S613991286
Condenser protection grille	S613995090	S613995091	S613995092	S613995093		

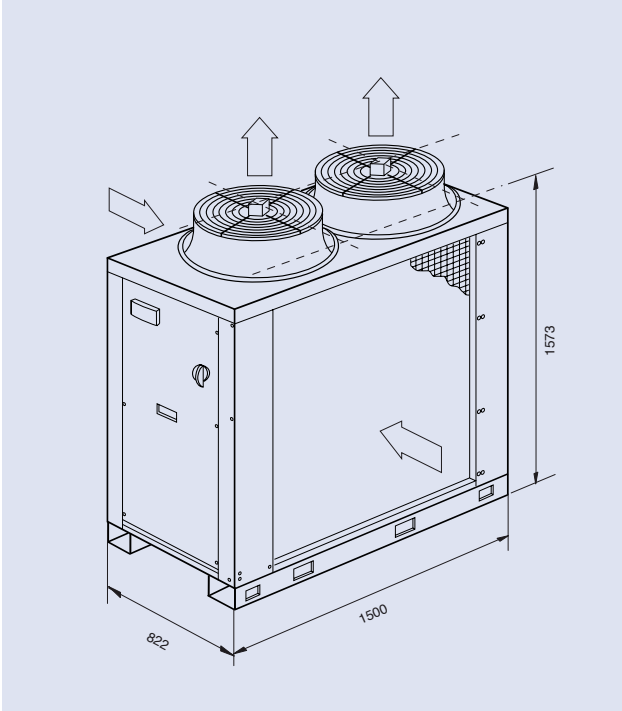
\* included with unit version "P" only for unit without pack. Filter size: 2" for YLCA 40-50-60-80 and 2 1/2" for YLHA 100-120-150.

NA= Not available



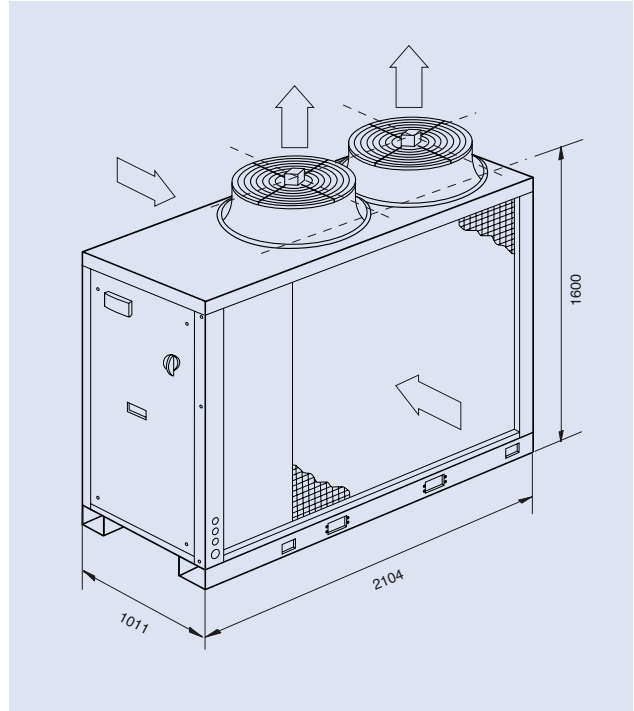
# Dimensions, hydraulic connections and space requirements

YLCA-YLHA 40 T-TP



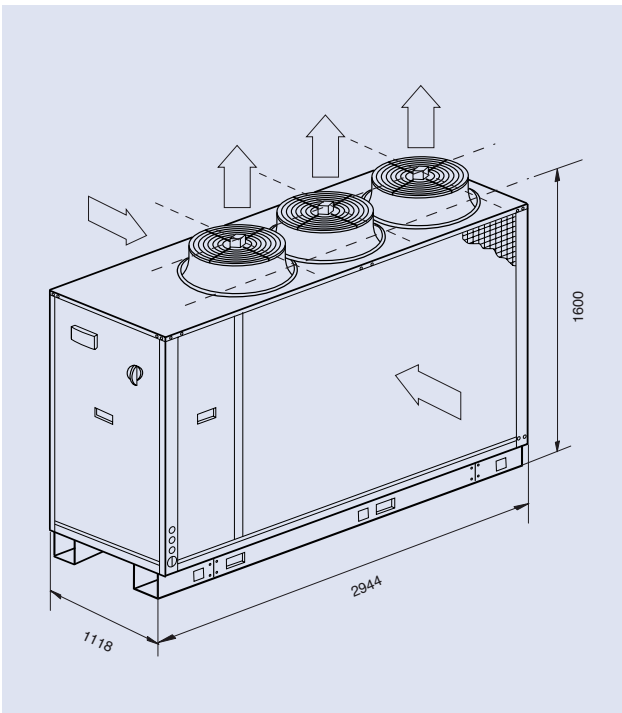
All dimensions in mm. Drawings not a scale.

YLCA-YLHA 50 and 60 T-TP



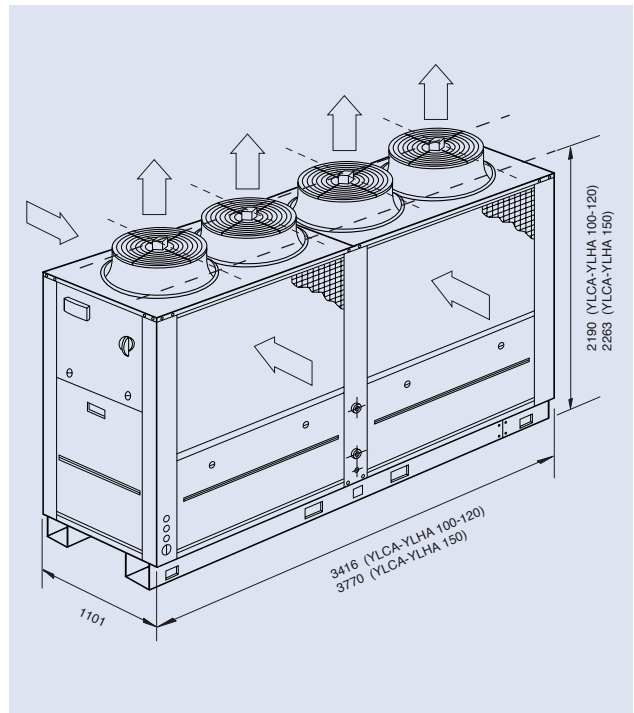
All dimensions in mm. Drawings not a scale.

YLCA-YLHA 80 T-TP



All dimensions in mm. Drawings not a scale.

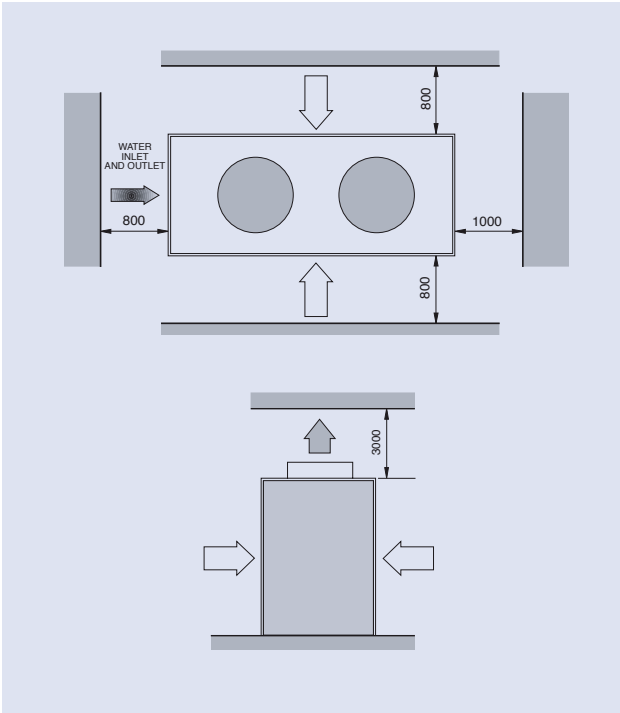
YLCA-YLHA 100, 120 and 150 T-TP



All dimensions in mm. Drawings not a scale.

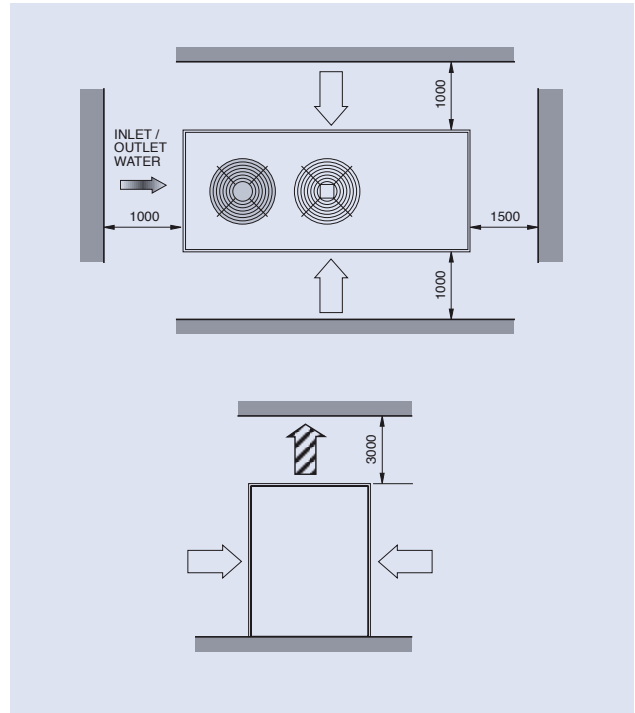
# Dimensions, hydraulic connections and space requirements

## YLCA-YLHA 40 T-TP



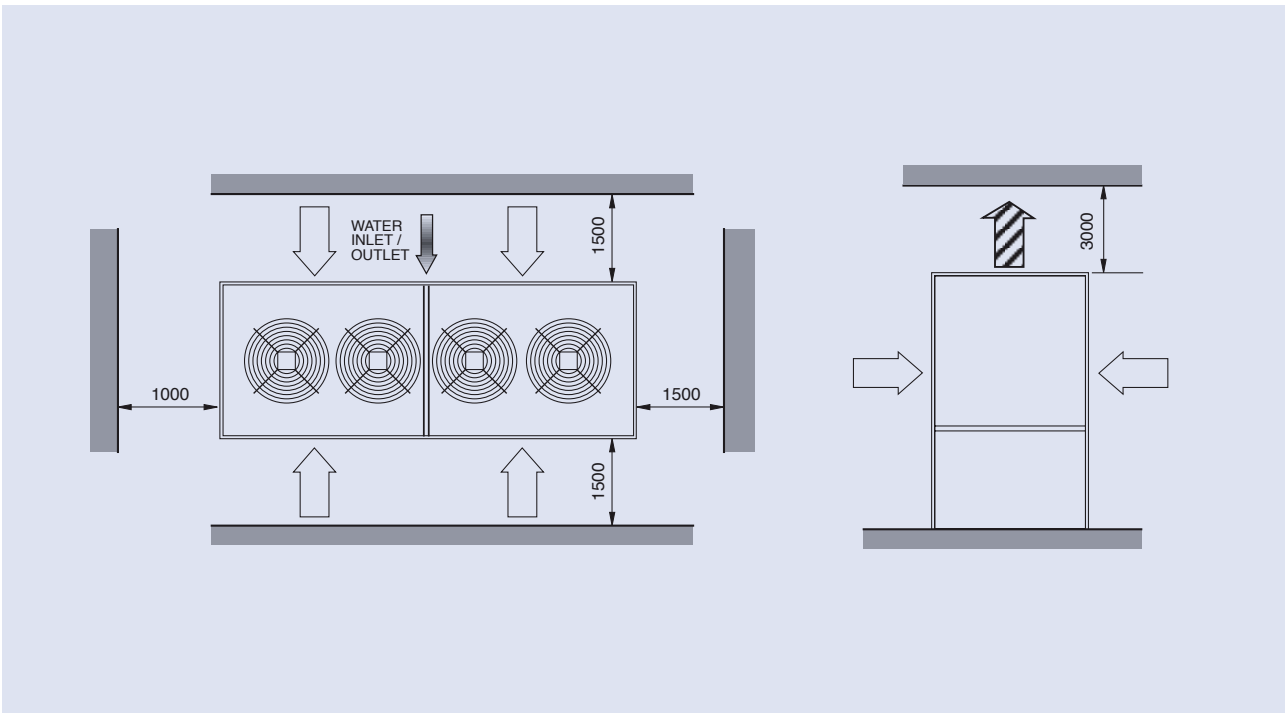
All dimensions in mm. Drawings not a scale.

## YLCA-YLHA 50, 60 and 80 T-TP



All dimensions in mm. Drawings not a scale.

## YLCA-YLHA 100, 120 and 150 T-TP



All dimensions in mm. Drawings not a scale.