

SEE PAGE 3 FOR ELECTRICAL PARTS.

SEE PAGE 2 FOR COMPRESSOR ARRANGEMENTS.

Replacement parts are available from local UPG HVAC contractor / dealers or the nearest UPG distribution center.

FIG. 1 - SINGLE PACKAGE COOLING UNIT

SECTION	FIG	ITEM	DESCRIPTION	D1IG090N13050A	D1IG120N16550A
COMPRESSOR					
	2	1	COMPRESSOR, HERMETIC (2 REQ'D)	015-02576-705	- - -
	2	2	COMPRESSOR, HERMETIC (2 REQ'D)	- - -	015-02594-705
MOTORS					
	1	3	MOTOR, BELT DRIVE BLOWER (2.0 HP)	024-25336-700	- - -
	1	3	MOTOR, BELT DRIVE BLOWER (3.0 HP)	- - -	024-25335-700
	1	4	MOTOR, DIRECT DRIVE FAN	024-25534-700	024-25534-700
	1	5	MOTOR, VENTER BLOWER (1)	024-25330-700	024-25330-700
	*	6	HARNESS, MOTOR WIRING	025-26387-012	025-26387-012
ELECTRICAL					
	5	7	BOARD, CIRCUIT	031-00652-700	031-00652-700
	5	8	BREAKER, CIRCUIT (CB)	024-24055-000	024-24055-000
	5	9	CAPACITOR, RUN (7.5MFD/370)(1,2RC)	024-20045-700	024-20045-700
	5	10	BOOT, RUBBER	028-04133-000	028-04133-000
	5	11	CONTACTOR, ELECTRICAL (1,2M)(7)	024-25308-700	024-25309-700
	5	12	CONTACTOR, ELECTRICAL (3M)(7)	024-25307-700	024-25307-700
	5	13	RELAY, CONTROL (OVERLOAD) (BOR)(7)	024-25317-700	024-25318-700
	5	14	RELAY, TIME DELAY (TD1)	024-25332-700	024-25332-700
	5	15	RELAY, TIME DELAY (TD2)	024-25333-700	024-25333-700
	5	16	RELAY, HEAT SEQUENCER (TDR)	024-19082-028	024-19082-028

* NOT SHOWN

New replacement parts shown in bold face type at the first printing of Parts List code dated 6/93.

(1) INCLUDES CENTRIFUGAL SWITCH.

(7) THESE PARTS SHOULD BE OBTAINED FROM U.K. BASILDON.

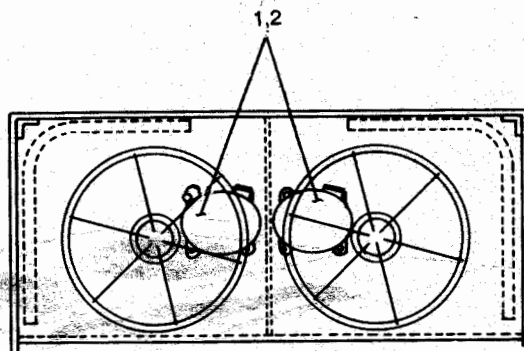
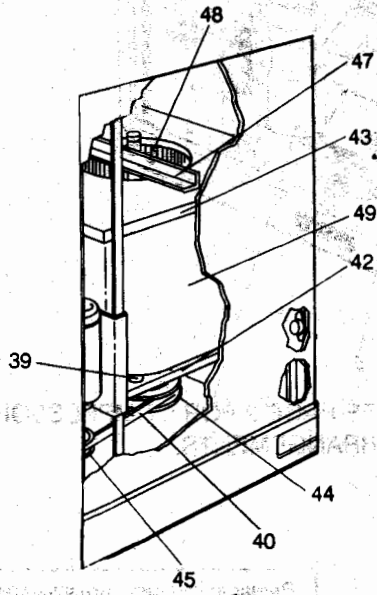
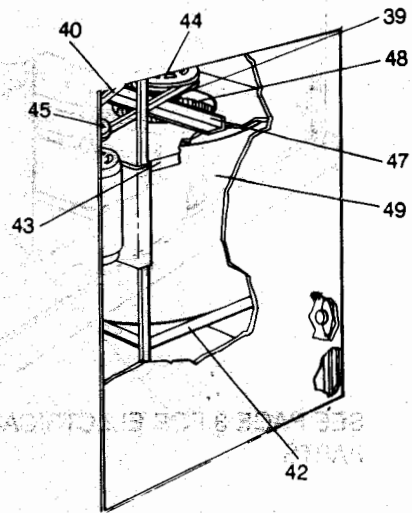


FIG. 2 - COMPRESSOR ARRANGEMENTS



MODEL D11G090N13050A



MODEL D11G120N16550A

FIG. 3 - BLOWER ASSEMBLY

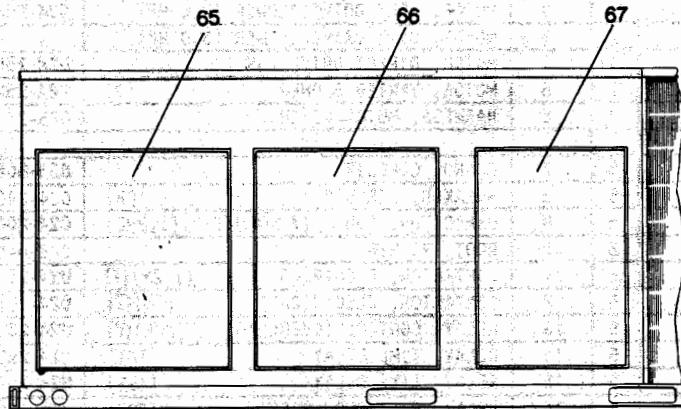


FIG. 4 - DUCT COVER ARRANGEMENT

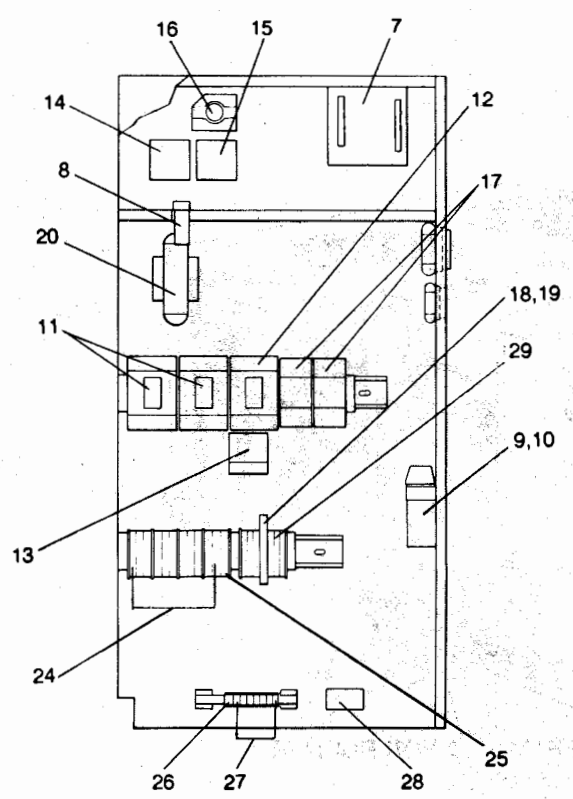


FIG. 5 - ELECTRICAL BOX

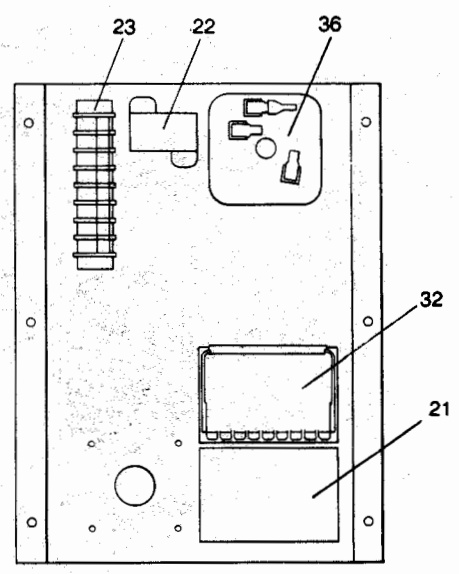


FIG. 6 - ELECTRICAL CONTROLS (GAS HEAT)

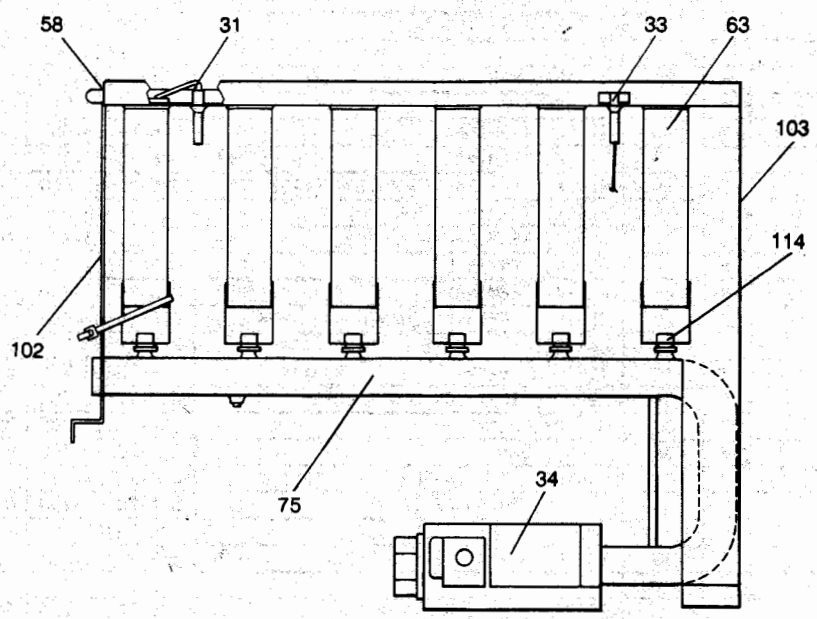
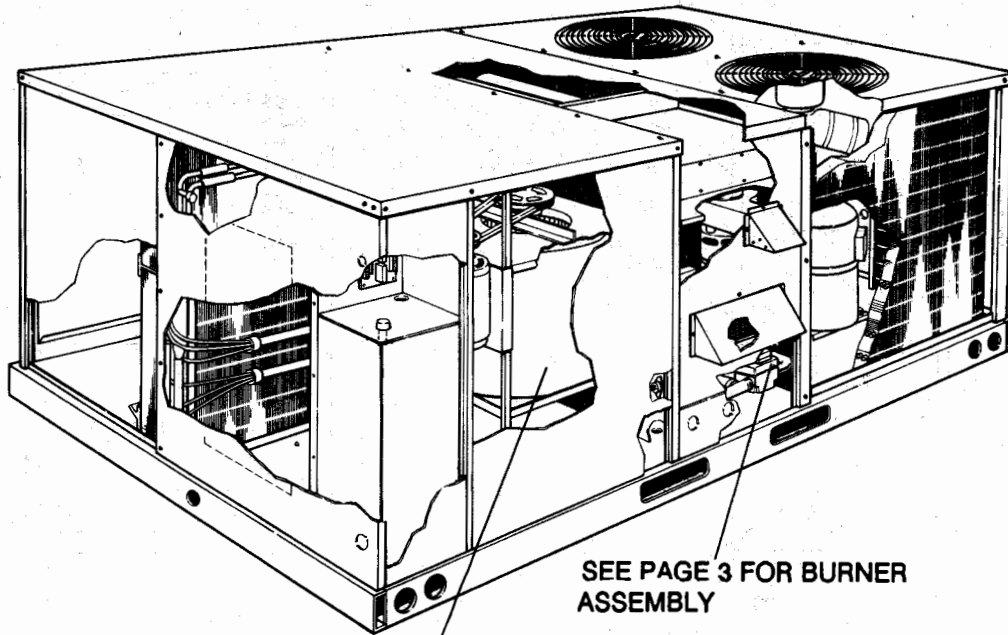


FIG. 7 - BURNER ASSEMBLY



SEE PAGE 2 FOR BLOWER ASSEMBLY

FIG. 8 - SINGLE PACKAGE COOLING UNIT

SECTION	FIG	ITEM	DESCRIPTION	D1IG090N13050A	D1IG120N16550A
ELECTRICAL					
	5	17	RELAY, CONTROL (RW1,2)	024-25324-700	024-25324-700
	5	18	BLOCK, FUSE TERMINAL	029-29707-000	029-29707-000
	5	19	FUSE (1FU)	025-29756-000	025-29756-000
	5	20	TRANSFORMER (1T)(7)	025-25331-700	025-25331-700
	6	21	TRANSFORMER (3T)(7)	025-29677-700	025-29677-700
	6	22	BLOCK, TERMINAL (TB5)	025-29763-000	025-29763-000
	6	23	BLOCK, TERMINAL (TB4)	025-29762-000	025-29762-000
	5	24	BLOCK, TERMINAL (QUAN.11) (L1,2,3&N)	025-29685-000	025-29685-000
	5	25	BLOCK, TERMINAL (GROUND) (PE)	025-29695-000	025-29695-000
	5	26	BLOCK, TERMINAL (GROUND) (E1)	025-29713-000	025-29713-000
	5	27	BLOCK, TERMINAL (TB8)	025-29771-000	025-29771-000
	5	28	BLOCK, TERMINAL (TB6)	025-29763-000	025-29763-000
	5	29	BLOCK, TERMINAL (QUAN.6) (TB2,3)	025-29683-000	025-29683-000
	*	30	CONTROL, PRESSURE	025-17620-725	025-17620-725
	7	31	IGNITOR, SPARK	025-29681-700	025-29681-700
	6	32	MODULE, IGNITION CONTROLLER (7)	025-29675-700	025-29675-700
	7	33	SENSOR, FLAME	025-29682-700	025-29682-700
	7	34	VALVE, GAS (7)	025-30237-700	025-30237-700
	*	35	CONTROL, TEMPERATURE (FS1,2) (2)	025-27727-001	025-27727-001
	6	36	SWITCH, PRESSURE (AIR) (7)	025-29679-700	025-29679-700
	*	37	SWITCH, LIMIT (ROLL OUT)	025-26392-003	025-26392-003
	*	38	CONTROL, TEMP. (MAN. RESET) (7)	025-30232-700	025-30232-700
AIR MOVING					
	3	39	BEARING, BLOWER	029-20424-700	029-20424-700
	3	40*	BELT, BLOWER (BX55)	- - -	028-12367-000
	3	40	BELT, BLOWER (A47)	028-12366-000	- - -

* NOT SHOWN

New replacement parts shown in bold face type at the first printing of Parts List code dated 6/93.

(2) USE HEAT CONDUCTIVE COMPOUND (013-02250-000) WHEN APPLYING CONTROL TO SUCTION LINE.

(7) THESE PARTS SHOULD BE OBTAINED FROM U.K. BASILDON.

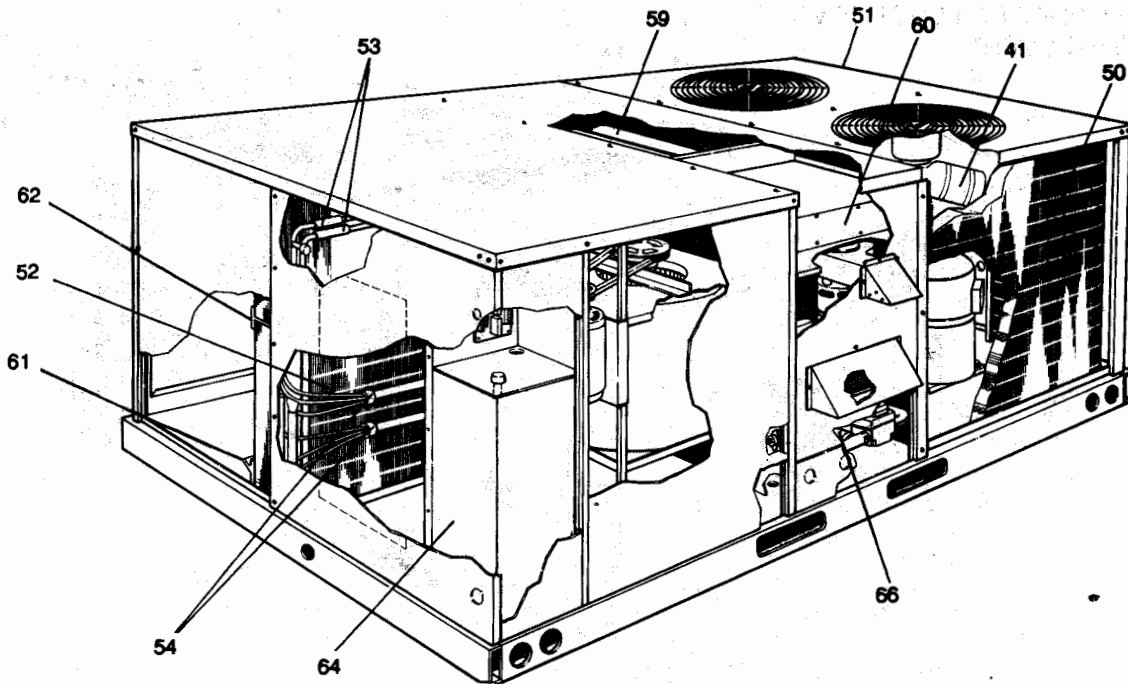


FIG. 9 - SINGLE PACKAGE COOLING UNIT

SECTION	FIG	ITEM	DESCRIPTION	D1IG090N13050A	D1IG120N1655A
AIR MOVING					
	9	41	BLADE, FAN	026-32169-000	026-32169-000
	3	42	PLATE, HOUSING (BOTTOM)	063-89997-000	063-89999-000
	3	43	PLATE, HOUSING (TOP)	063-89996-000	063-89998-000
	3	44	PULLEY, BLOWER (FIXED)	028-12363-700	028-12364-700
	3	45	PULLEY, MOTOR (VARIABLE)	028-04807-900	028-12365-700
	*	46	SHAFT, BLOWER	001-07115-000	001-07115-000
	3	47	SUPPORT, BEARING	063-89950-000	063-89950-000
	3	48	WHEEL, BLOWER	026-25529-701	026-25529-702
	3	49	WRAPPER, HOUSING	063-89954-000	063-89951-000
REFRIGERANT					
CIRCUIT					
	9	50	COIL, CONDENSER (FRONT, SYS.#1) (3)	363-94983-700	363-94985-700
	9	51	COIL, CONDENSER (REAR, SYS.#2) (3)	363-94984-700	363-94986-700
	8	52	COIL, EVAPORATOR (SYS.#1 & 2) (3)	373-06377-701	373-06378-701
	9	53	DRIER, STRAINER	029-17738-000	029-17738-000
	9	54	VALVE, DISTRIBUTOR	022-06846-015	022-06846-008
	*	55	VALVE, CORE	022-02475-000	022-02475-000
	*	56	VALVE, EXPANSION	022-06848-712	022-06848-711
	*	57	COCK, GAS	022-08917-000	022-08917-000
FABRICATED					
PARTS					
	7	58	BAFFLE, AIR	063-92588-000	063-92587-000
	9	59	BAFFLE, HEAT EXCHANGER	063-90071-000	063-90071-000
	9	60	BOX, FLUE	063-89949-000	063-89949-000
	9	61	BRACKET, FILTER (TOP & BOTTOM)	029-20069-000	029-20069-000
	9	62	BRACKET, FILTER (MIDDLE)	029-20070-000	029-20070-000
	7	63	BURNER, MAIN GAS	029-20461-000	029-20461-000
	9	64	COVER, CONTROL BOX	373-09095-700	373-09095-700

* NOT SHOWN

New replacement parts shown in bold face type at the first printing of Parts List code dated 6/93.

(3) INCLUDES HEADERS.

(4) INCLUDES HEADERS & EXPANSION VALVES.

SEE PAGE 2 FOR DUCT COVER
ARRANGEMENT

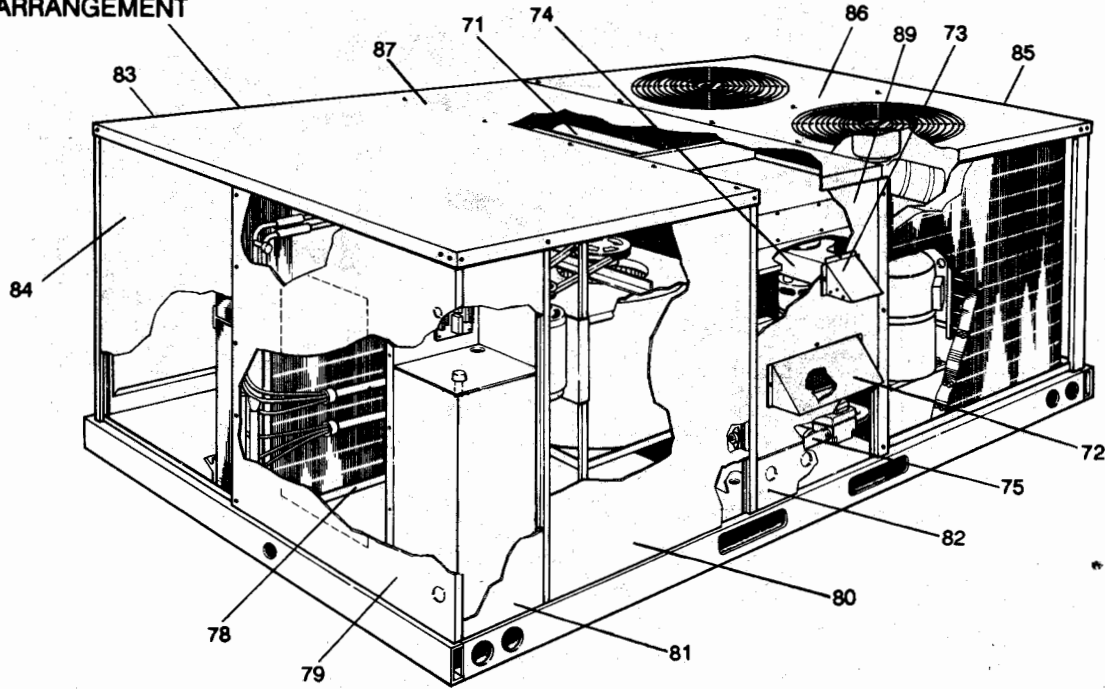


FIG. 10 - SINGLE PACKAGE COOLING UNIT

SECTION	FIG	ITEM	DESCRIPTION	D1IG090N13050A	D1IG120N1655A
FABRICATED					
PARTS	4	65	COVER, DUCT	363-90060-711	363-90060-711
	4	66	COVER, DUCT	363-90060-712	363-90060-712
	4	67	COVER, DUCT	363-90060-713	363-90060-713
	*	68	COVER, DUCT (BASE HEAT SECT.)	363-89934-700	363-89934-700
	*	69	COVER, DUCT (BASE, EVAPORATOR)	363-89941-701	363-89941-701
	*	70	CROSSOVER, GAS	073-07782-003	073-07782-002
	10	71	EXCHANGER, HEAT	363-90016-708	363-90016-709
	10	72	HOOD, AIR (INLET)	063-75440-000	063-75440-000
	10	73	HOOD, FLUE (OUTLET)	373-10797-700	373-10797-700
	10	74	HOUSING, VENT BLOWER	073-09343-700	073-09343-700
	10	75	MANIFOLD, GAS	029-20460-000	029-20460-000
	*	76	ORIFICE, FAN	063-89756-000	063-89756-000
	*	77	ORIFICE, VENT BLOWER	063-90038-710	063-90038-710
	10	78	PAN, DRAIN	363-93501-000	363-93501-000
	10	79	PANEL, CORNER (LEFT FRONT)	363-90055-701	363-90056-701
	10	80	PANEL, FRONT (BLOWER SECTION)	363-89927-711	363-89927-712
	10	81	PANEL, FRONT (CONTROL BOX)	363-92522-000	363-89937-011
	10	82	PANEL, GAS ACCESS (BOTTOM)	073-10771-700	073-10771-700
	10	83	PANEL, REAR (DUCT)	363-90051-711	363-90051-712
	10	84	PANEL, SIDE (FILTER SECTION)	363-89927-711	363-89927-712
	10	85	PANEL, SIDE (COMPRESSOR ACCESS)	063-90024-700	063-90070-702
	10	86	PANEL, TOP (CONDENSER)	063-90013-700	063-90013-700
	10	87	PANEL, TOP (EVAPORATOR)	363-94624-701	363-94624-701
	*	88	PANEL, VESTIBULE (FRONT)	373-09036-700	373-09036-700
	10	89	PANEL, GAS ACCESS (TOP)	073-09047-701	073-09047-702

* NOT SHOWN

New replacement parts shown in **bold face** type at the first printing of Parts List code dated 6/93.

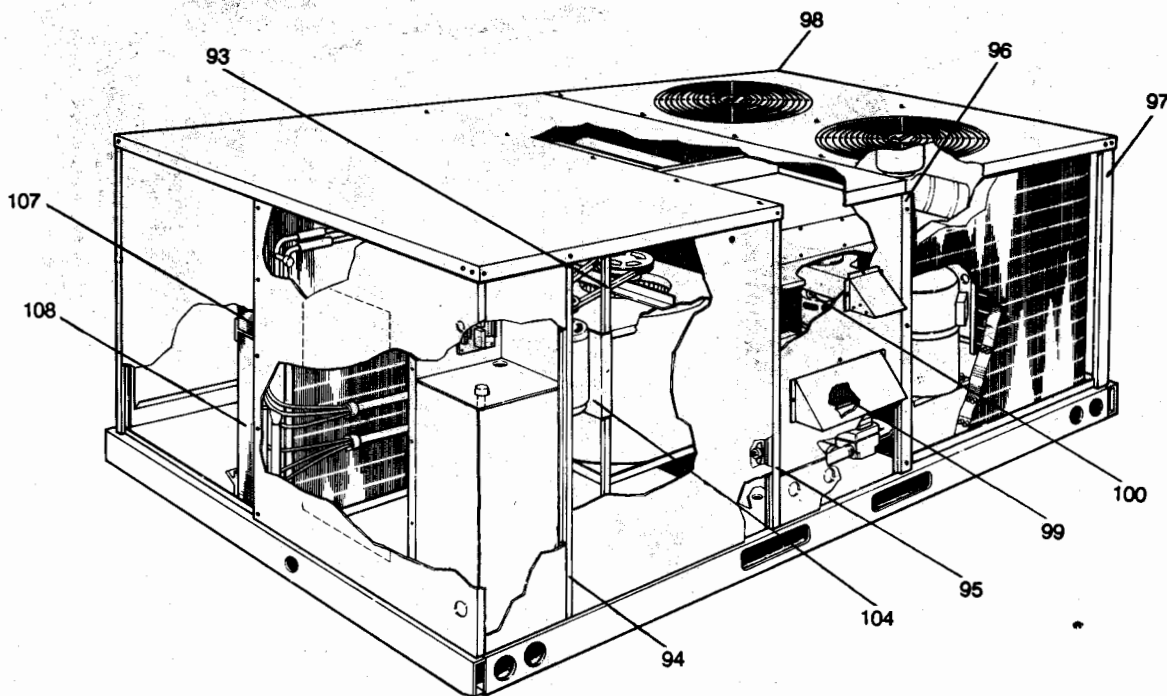


FIG. 11 - SINGLE PACKAGE COOLING UNIT

SECTION	FIG	ITEM	DESCRIPTION	D11G090N13050A	D11G120N16550A
FABRICATED					
PARTS	*	90	PANEL, VESTIBULE (TOP)	373-09038-720	373-09038-720
	*	91	PANEL, VESTIBULE (BOTTOM)	373-09037-700	373-09037-700
	*	92	PLATE, VENT HOUSING	063-90037-000	063-90037-000
	11	93	POST (BLOWER SUPPORT)	063-92560-001	063-92560-002
	11	94	POST (INTERMEDIATE)	063-89953-001	063-89953-002
	11	95	POST (LEFT PARTITION SUPPORT)	063-89973-001	063-89973-002
	11	96	POST (RIGHT PARTITION SUPPORT)	063-89987-001	063-89987-002
	11	97	POST (RIGHT FRONT CORNER)	063-89994-001	063-89994-002
	11	98	POST (RIGHT REAR CORNER)	063-89995-001	063-89995-002
	11	99	SCREEN, AIR INLET	026-31402-000	026-31402-000
	11	100	SPACER, VENT MOTOR	063-92626-000	063-92626-000
	*	101	SUPPORT, BURNER (FRONT)	063-92490-000	063-92490-000
	7	102	SUPPORT, BURNER (L/S)	073-07781-703	073-07781-702
	7	103	SUPPORT, BURNER (R/S)	063-92594-000	063-92594-000
	11	104	SUPPORT, MOTOR	063-89938-000	073-10773-700
	*	105	CAP, FLARE	023-11018-000	023-11018-000
	*	106	CONNECTOR, WIRE (16 PIN)	025-26364-000	025-26364-000
	11	107	FILTER, AIR (2 REQ'D)	026-25532-000	- - -
				(12x24x2)	
	11	107	FILTER, AIR (2 REQ'D)	- - -	026-25533-000
					(16x24x2)
	11	108	FILTER, AIR (2 REQ'D)	026-25533-000	- - -
				(16x24x2)	
	11	108	FILTER, AIR (2 REQ'D)	- - -	026-25534-000
					(18x24x2)

* NOT SHOWN
New replacement parts shown in **bold face** type at the first printing of Parts List code dated 6/93.

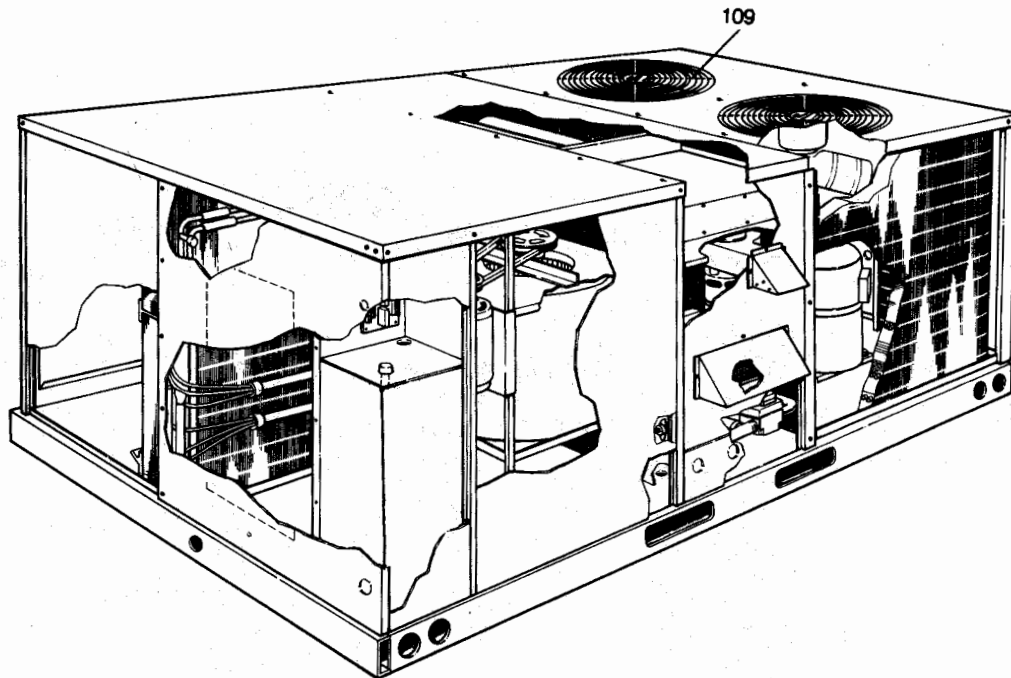


FIG. 12 - SINGLE PACKAGE COOLING UNIT

SECTION	FIG	ITEM	DESCRIPTION	D1IG090N13050A	D1IG120N16550A
MISCELLANEOUS					
	12	109	GUARD, FAN	026-25528-000	026-25528-000
	*	110	KIT, COMPRESSOR ISOLATOR (5)	373-07263-700	373-07263-700
	*	111	KEY, BLOWER	001-07110-004	001-07110-004
	*	112	KEY, PULLEY	001-07110-005	001-07110-005
	*	113	KIT, MOTOR MOUNT	363-90117-000	363-90117-000
	7	114	ORIFICE, BURNER (NAT.#32) (4 REQ'D)	029-20423-032	- - -
	7	114	ORIFICE, BURNER (NAT.#32) (5 REQ'D)	- - -	029-20423-032
	7	115	ORIFICE, CARRYOVER (#60)	029-20422-060	029-20489-060
	*	116	PLUG (MALE 3 CIRCUIT)	025-19671-900	025-19671-900
	*	117	PLUG (MALE 6 CIRCUIT)	025-19670-900	025-19670-900
	*	118	PLUG (MALE 9 CIRCUIT)	025-21192-900	025-21192-900
	*	119	SOCKET, CONTACT (1 CIRCUIT)	025-19673-900	025-19673-900
	*	120	SOCKET (FEMALE 3 CIRCUIT)	025-21193-900	025-21193-900
	*	121	SOCKET (FEMALE 6 CIRCUIT)	025-20963-000	025-20963-000
	*	122	SOCKET (FEMALE 9 CIRCUIT)	025-21191-900	025-21191-900
	*	123	WHEEL, VENT BLOWER	026-25530-701	026-25530-701
	*	124	BUSHING (6)	025-26385-000	025-26385-000
	*	125	ELBOW 90 DEG. (6)	023-13649-000	023-13649-000

* NOT SHOWN

New replacement parts shown in **bold face** type at the first printing of Parts List code dated 6/93.

(5) COMPRESSOR ISOLATOR KIT CONTAINS PARTS AND INSTRUCTIONS FOR BRISTOL & COPELAND COMPRESSORS.

(6) ELBOW (023-13649-000) IS HELD IN PLACE ON DRAIN PAN WITH BUSHING (025-26385-000).



Heating and Air Conditioning



Proud Sponsor
of the 1996
U.S. Olympic Team
3565C380