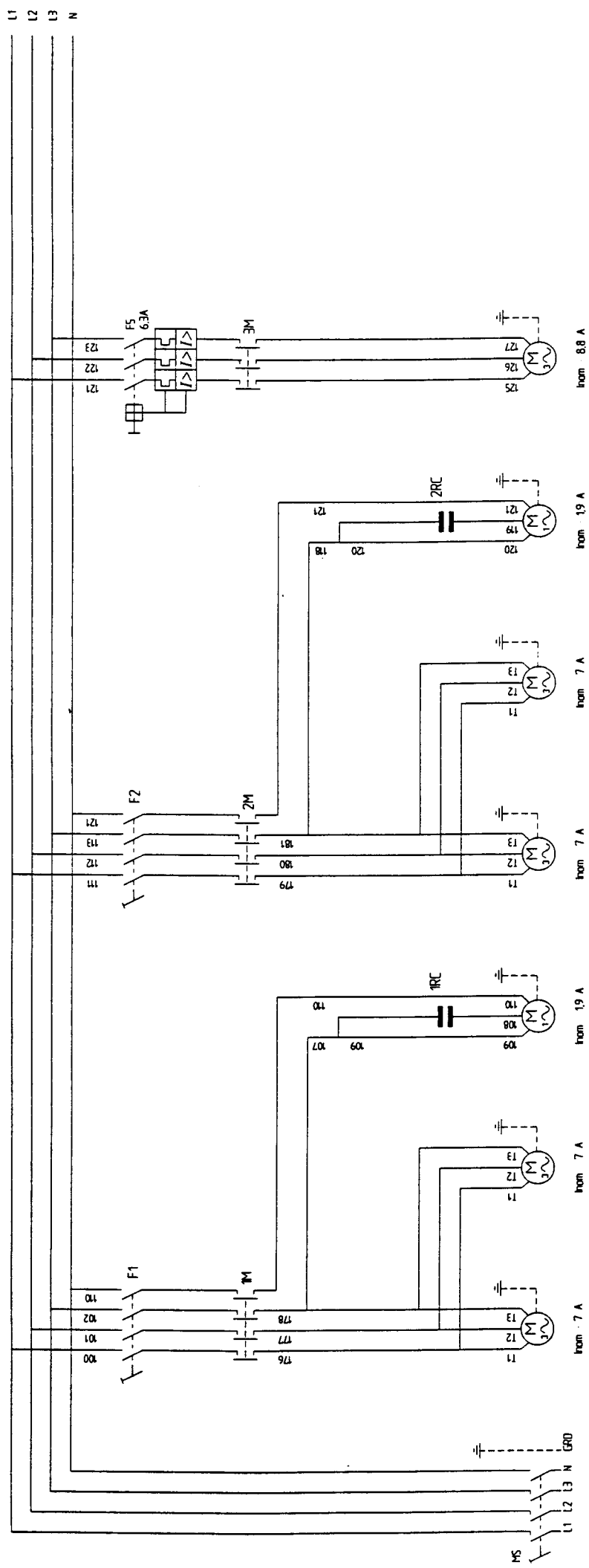
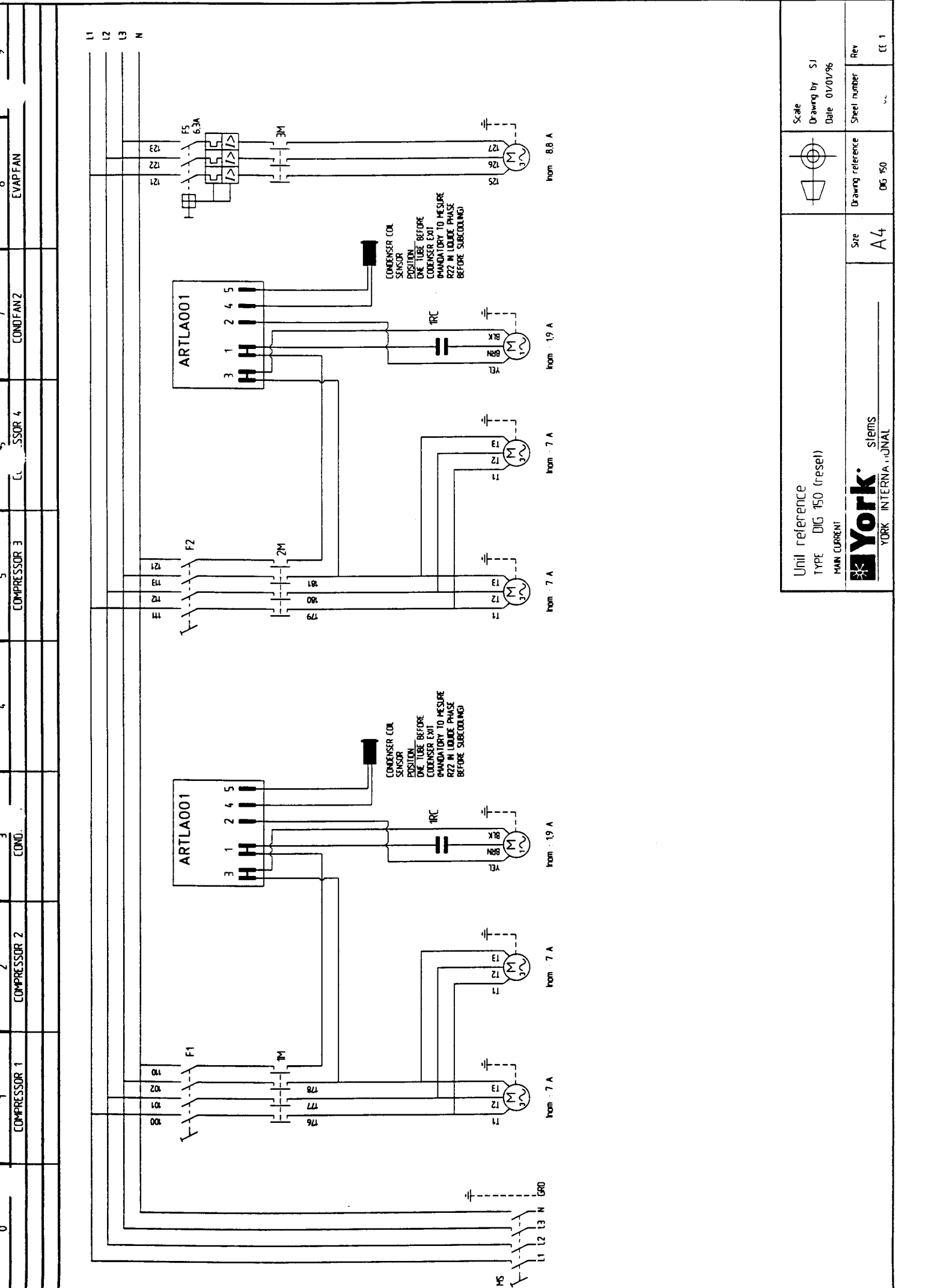


EVAP-FAN	1Z	LUMPRESSUR 4	LUM	LUMPRESSUR 2	LUMPRESSUR 1
----------	----	--------------	-----	--------------	--------------

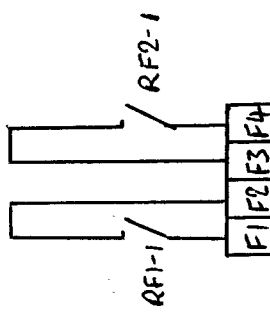
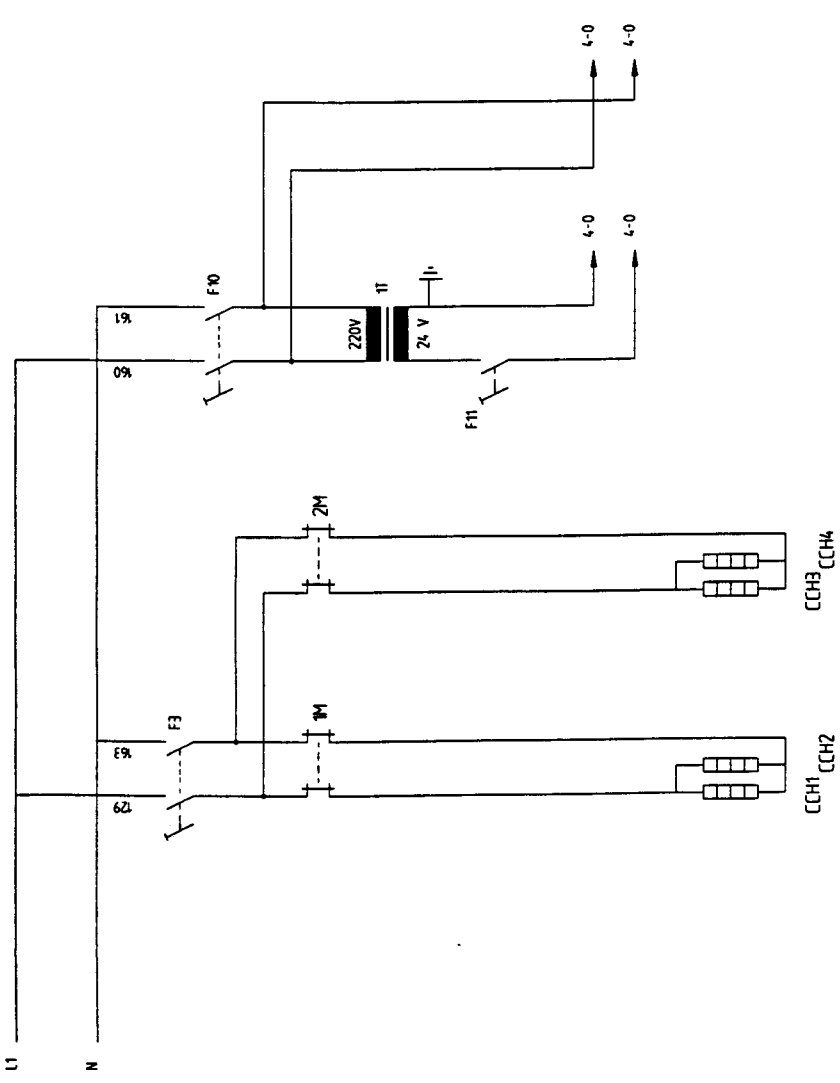


	Scale	Sheet number	Rev
	Drawing by: SJ Date: 01/01/96	02	CE 1
	Drawing reference	Size	
	DG 150	A4	



Unit reference TYPE DIG 150 (reset) MAIN CURRENT	Scale Drawing by SJ Date 01/01/96	Sheet number ...	Rev CE 1
York YORK INTERNATIONAL	Drawing reference DIG 150	Size A4	

CRANKCASE - HEATING COMPRESSOR 1/2	CRANKCASE - HEATING COMPRESSOR 3/4	CONTROL 24V-RL	CONTROL CURRENT 220V-AC
------------------------------------	------------------------------------	----------------	-------------------------

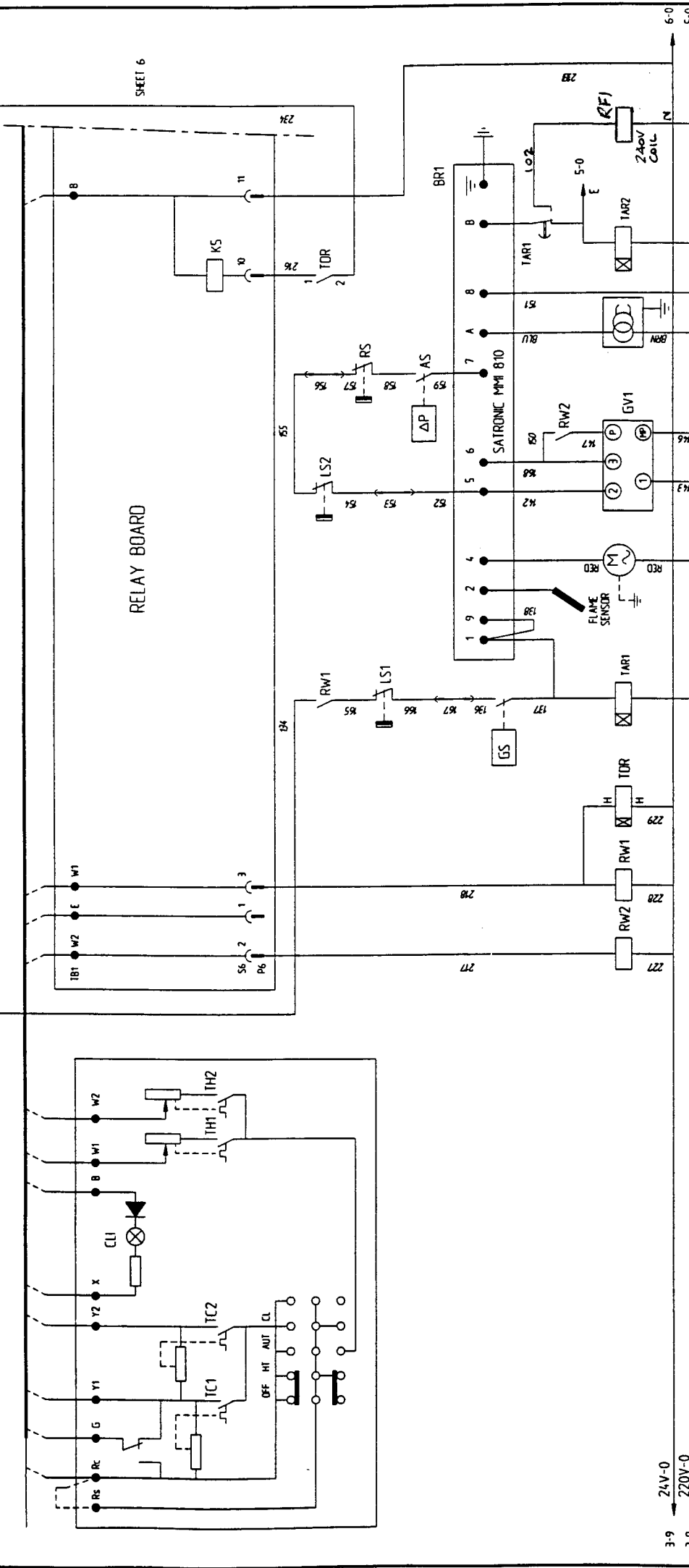


VOLT FREE CONTACTS FOR REMOTE FAULT INDICATION

F1 - F2 CLOSE ON HEATING FAULT
 F3 - F4 CLOSE ON COOLING FAULT

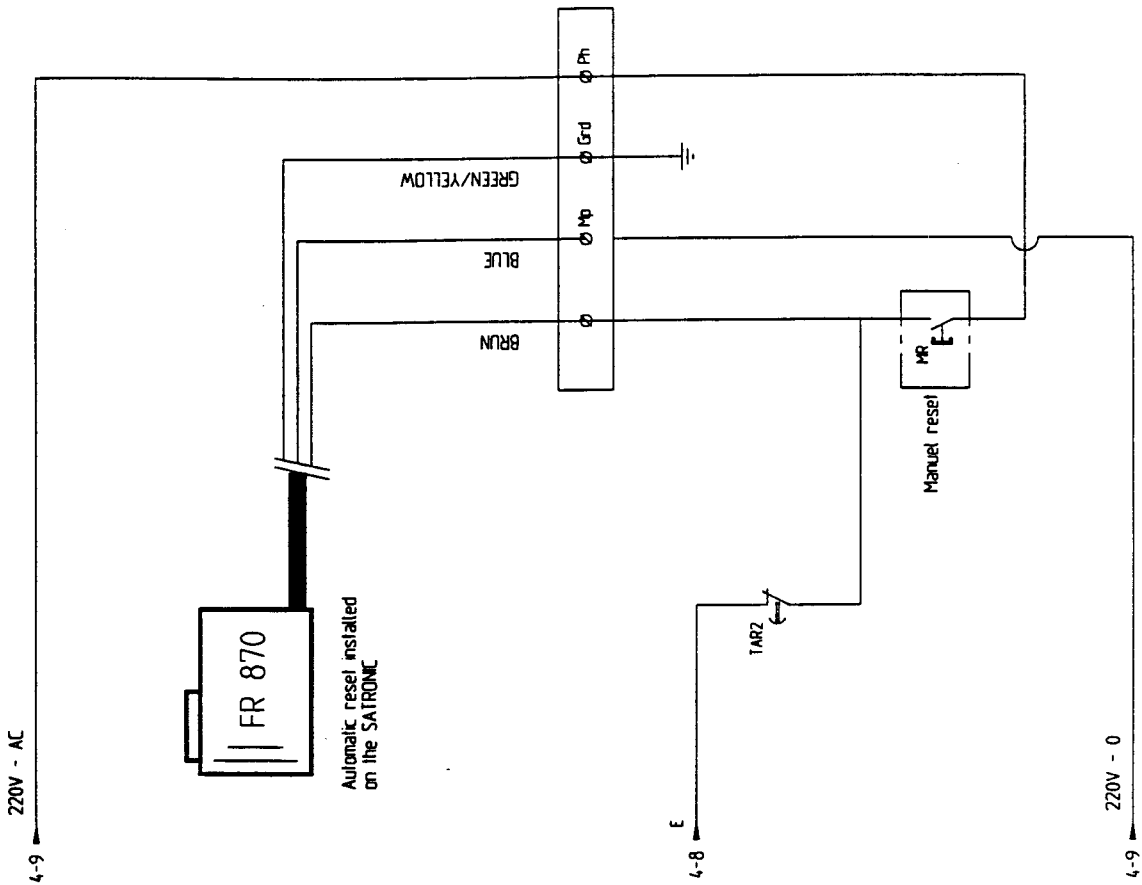
Unit reference		Scale	Rev
TYPE DIG 150 (reset)		Drawing by SJ	03
MAIN CURRENT		Date 01/01/96	CE 1
York Systems YORK INTERNATIONAL		Sheet number	03
Site A4		Drawing reference	DG 50

3-9 220V-AC 5-0
 3-9 24V-AC 6-0

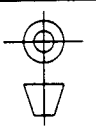


Setting point 4 min DRAFT MOTOR
 Setting point 2 seconds
 3-9 24V-AC 5-0
 3-9 270V-0 6-0

Unit reference TYPE DIG 150 (reset) CONTROL CURRENT	Size A4	Scale Drawing by SJ Date 01/01/96	Sheet number 04	Rev CE 1
			Drawing reference DG 150	



Unit reference
 TYPE DIG 150 (reset)
 CONTROL CURRENT



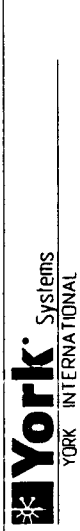
Drawing reference
 DG 150

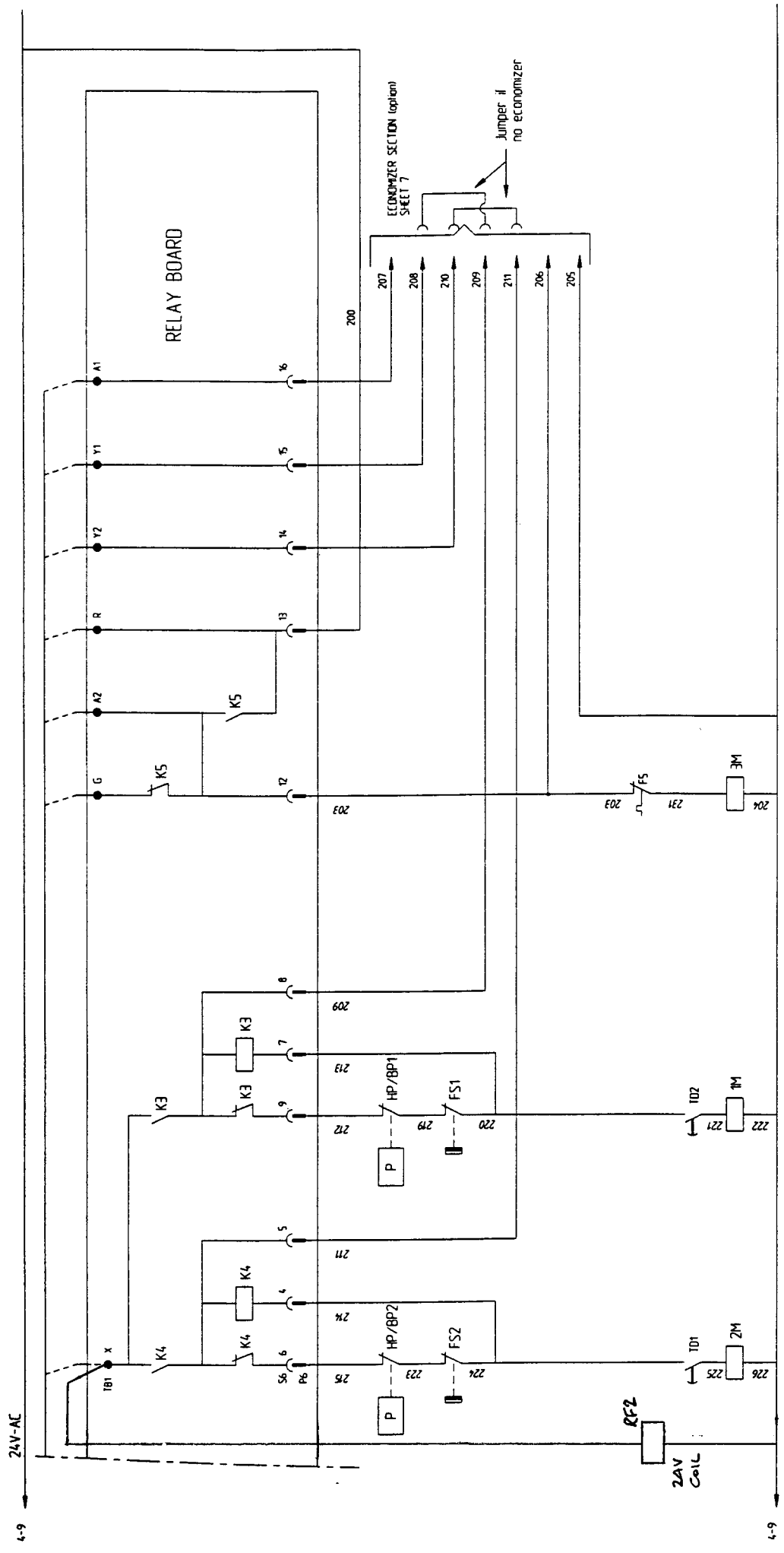
Scale
 Drawing by SJ
 Date 01/01/96

Sheet number
 05

Rev
 CE1

Size
 A4



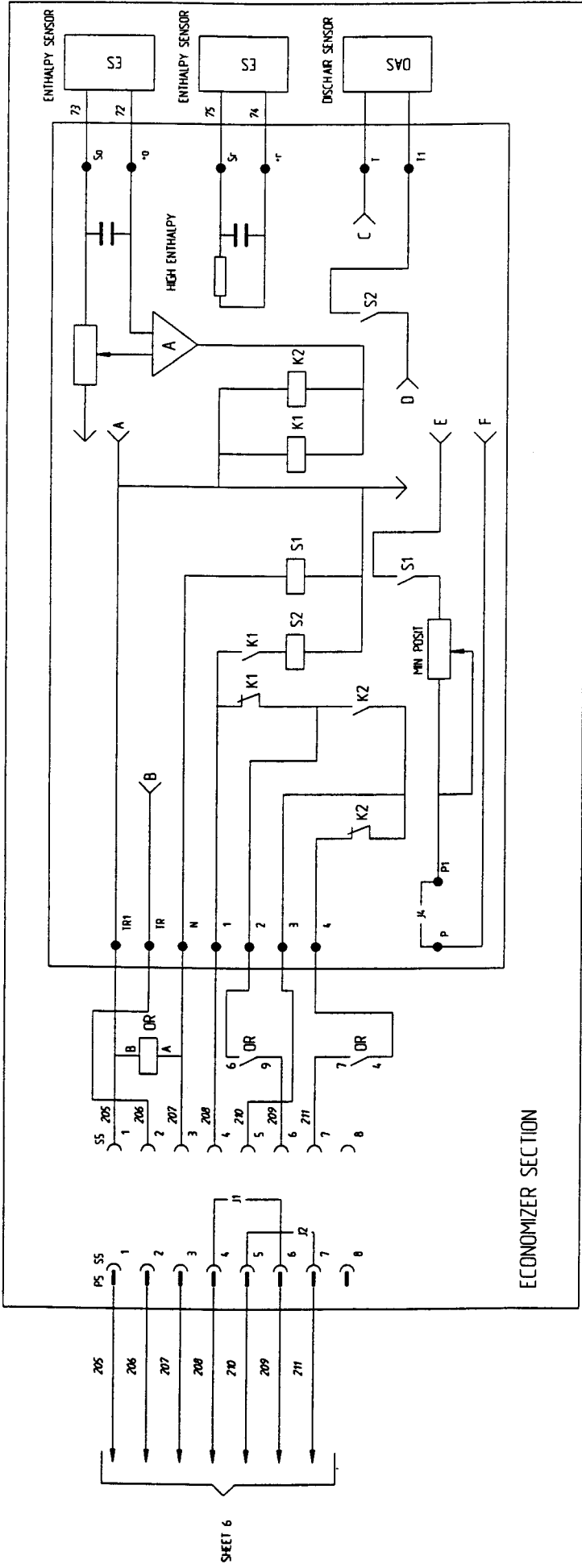


3x no 2-4
2x inc 3-2

3x no 2-1
2x inc 3 1

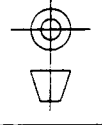
no 2-7
no 2 7
no 2-7

Unit reference TYPE DIG 150 (reset) CONTROL CURRENT		Scale Drawing by SJ Date 01/01/96	
York Systems INTERNATIONAL		Drawing reference DG 150	
Size A4		Sheet number 06	
		Rev CE 1	



SHEET 6

Unit reference
 TYPE DIG 150 (reset)
 CONTROL CURRENT



Scale
 Drawing by SJ
 Date 01/01/96

Sheet number
 07

Rev
 CE 1

Size
 A4