

**FIG. 1 - SINGLE PACKAGE COOLING UNIT**

**COMPRESSOR**

FIG	ITEM	DESCRIPTION	D1IG150N16550A
			5-BURNER
2	(1)	COMPRESSOR, DUAL HERMETIC (FRONT)	015-02603-705
*	1A	CRANKCASE HEATER (1-PER COMPR.)	025-28635-000
2	2	SCREW, 5/16-18 HEX WASHER HD. W/SLEEVE	021-16803-000
2	3	ISOLATOR, COMPR. DUAL (6-REQ'D)	028-12342-700
2	(4)	COMPRESSOR, DUAL HERMETIC (REAR)	015-02614-705
*	4A	4A CRANKCASE HEATER (1-PER COMPR.)	025-28635-000
2	5	SCREW, 5/16-18 HEX WASHER HD. W/SLEEVE	021-16803-000
2	6	ISOLATOR, COMPR. DUAL (6-REQ'D)	028-12342-700

**MOTORS**

1	(7)	MOTOR, BLOWER 5HP	024-25379-700
1	(8)	MOTOR, FAN 1/2 HP (2-REQ'D)	024-25334-700
1	(9)	MOTOR, VENTOR	024-25330-700

**ELECTRICAL**

3	(10)	BOARD, CIRCUIT	031-00652-700
*	11	BOOT, RUBBER CAPACITOR	028-04133-000
3	12	CIRCUIT BREAKER [CB]	024-24055-000
*	(13)	CONTROL, HIGH PRESS. (2-REQ'D) [HP1,2]	025-17620-725

\* NOT SHOWN

Major components and suggested stocking items are shown with item number in parenthesis "( )".

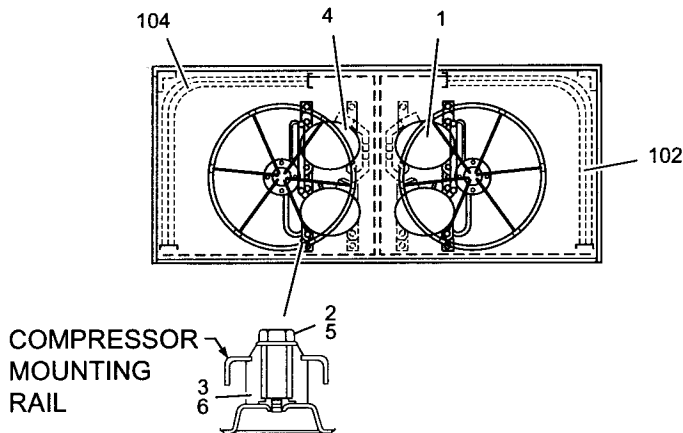


FIG. 2 - COMPR. LOCATION

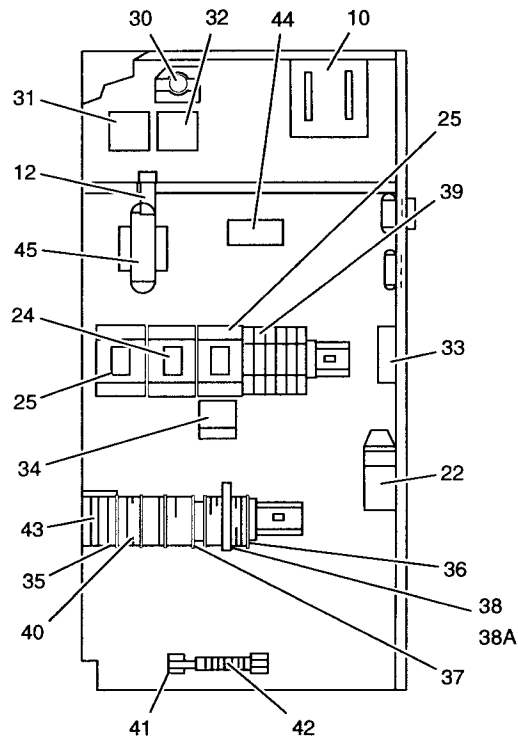


FIG. 3 - ELECTRICAL BOX

ELECTRICAL (Cont.)

FIG	ITEM	DESCRIPTION	D11G150N16550A
			5-BURNER
*	(14)	CONTROL, LOW PRESS. (2-REQ'D)	[LP1,2] 025-30249-700
*	(15)	CONTROL, TEMP. (LOW EVAP)	[FS1,2] 025-27727-002
*	16	CONNECTOR, PLUG (4-CIRCUIT)	025-21417-000
*	17	CONNECTOR, CAP (4-CIRCUIT)	025-21756-000
*	18	CONNECTOR, PLUG (6-CIRCUIT)	025-19670-000
*	19	CONNECTOR, CAP (6-CIRCUIT)	025-20963-000
*	20	CONNECTOR, PLUG (9-CIRCUIT)	[P5] 025-21192-000
*	21	CONNECTOR, CAP (9-CIRCUIT)	[S5] 025-21191-000
3	(22)	CAPACITOR, RUN 7.5MFD/370V (2-REQ'D)	[1,2RC] 024-23128-700
*	23	CONTACT, PIN (BOX OF 50) (1)	025-20533-700
3	(24)	CONTACTOR (COMPRESSOR 3,4)	[2M] 024-25310-700
3	(25)	CONTACTOR (1M=COMPR 1,2/3M=ID FAN)	[1,3M] 024-25309-700
*	26	CONTACT, SINGLE LEAF	[P4] 025-26220-000
*	27	CONTACT, SOCKET (BOX OF 50) (1)	[P5] 025-19673-000
*	28	HOUSING, SINGLE LEAF (16 CIRCUIT)	[S6] 025-26364-000
*	29	LABEL, WIRING (REFERENCE)	035-11829-000
3	(30)	RELAY, CONTROL (HEAT SEQUENCER)	[TDR] 024-19082-028
3	(31)	RELAY, TIME DELAY (4-SEC. FOR "1M")	[TD1] 024-25332-000
3	(32)	RELAY, TIME DELAY (10-SEC. FOR "2M")	[TD2] 025-25333-000
3	(33)	RELAY, HEAT (KUIP, SPDT)	[RW1,2] 024-25324-700
3	(34)	RELAY, OVERLOAD	[BOR] 024-25320-700
3	35	COVER, END (D-UK4/10)	OBTAIN LOCALLY
3	36	COVER, END (D-UK5-TWIN)	OBTAIN LOCALLY
3	37	PARTITION PLATE (ATP-UK)	OBTAIN LOCALLY
3	38	TERM. BLOCK, FUSE UK5-HESI (750VAC, 6.3A)	OBTAIN LOCALLY
3	38A	FUSE, HBC"T", 5x20MM, 2.5A	OBTAIN LOCALLY
3	39	TERMINAL BLOCK, UK5-TWIN (500VAC, 34A)	OBTAIN LOCALLY
3	40	TERMINAL BLOCK, UK10 (750VAC, 44A)	OBTAIN LOCALLY
3	41	TERMINAL BLOCK, GROUND (AK16, 82A)	OBTAIN LOCALLY
3	42	TERMINAL BLOCK, GROUND (AK4, 34A)	OBTAIN LOCALLY
3	43	TERMINAL BLOCK, UK35 (1000VAC, 135A)	OBTAIN LOCALLY

\* NOT SHOWN

(1) USE HAND TOOL #044-02999-700 WHEN APPLYING CONTACT.

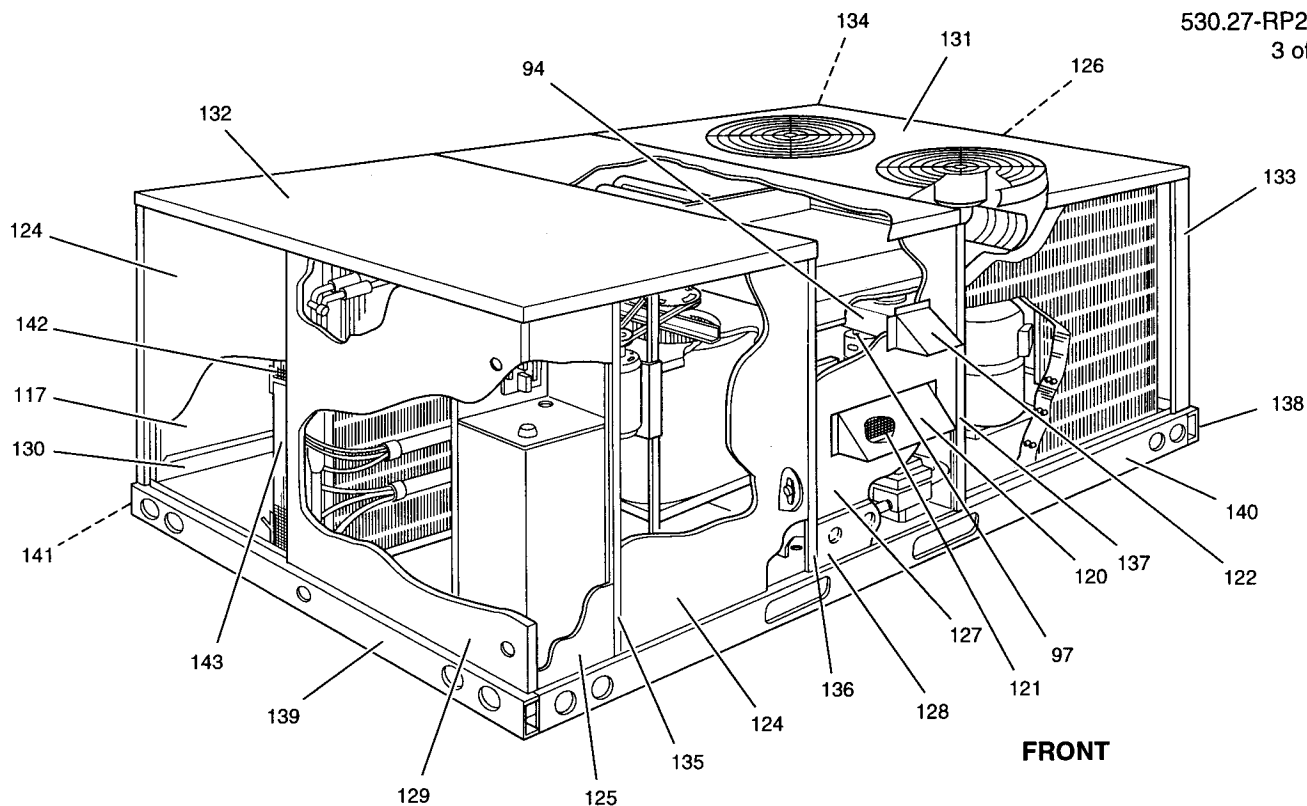


FIG. 4 - SINGLE PACKAGE COOLING UNIT

## ELECTRICAL (Cont.)

FIG	ITEM	DESCRIPTION	D11G150N16550A
			5-BURNER
3	44	TERMINAL, BLOCK [TB6]	025-29763-000
3	(45)	TRANSFORMER [1T]	025-30364-700
	46	SPACE FOR FUTURE PARTS ADDITIONS	
	47	SPACE FOR FUTURE PARTS ADDITIONS	

## GAS HEAT SECTION

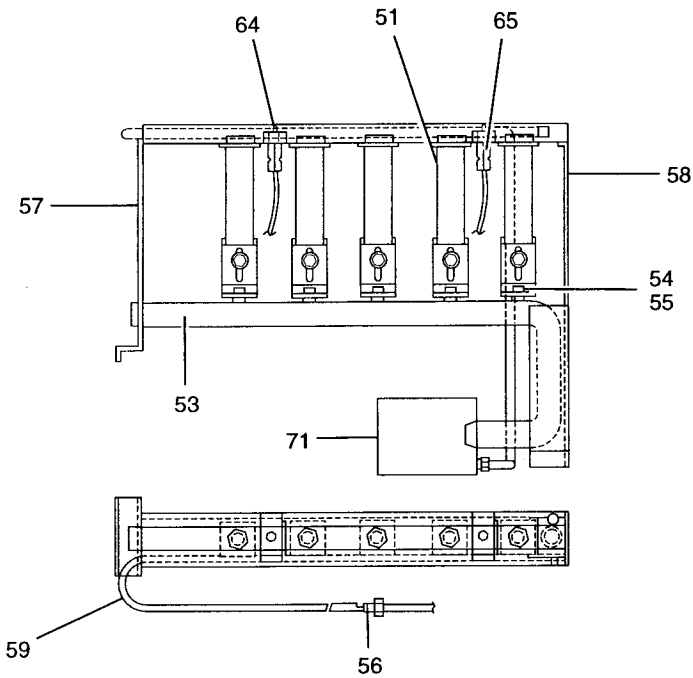
*	48	BAFFLE, AIR (PLATE)	063-92587-000
1	49	BAFFLE, HEAT EXCHANGER TUBE (5-REQ'D)	063-90071-000
1	50	BOX, FLUE (TOP & FRONT)	063-89949-000
5	51	BURNER, GAS (5-REQ'D)	029-20461-000
1	52	HEAT EXCHANGER (5-TUBES W/BAFFLES)	363-90016-010
5	53	MANIFOLD, GAS	<b>029-20460-000</b>
5	54	ORIFICE, GAS BURNER 2.82mm (5-REQ'D)	029-21123-734
5	55	ORIFICE, GAS BURNER BLANK (1-REQ'D)	029-20423-000
5	56	ORIFICE, GAS PILOT #65	029-20489-765
5	57	SUPPORT, BURNER (LEFT SIDE & REAR)	073-07781-702
5	58	SUPPORT, BURNER (RIGHT SIDE)	063-92594-000
5	59	TUBE, CARRYOVER	073-07782-002

## GAS HEAT CONTROLS

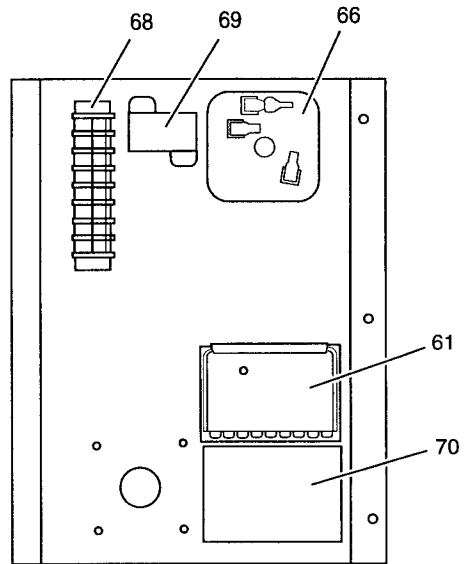
*	60	BRACKET, ROLLOUT SW.	<b>073-03120-000</b>
6	(61)	CONTROL, IGNITION [IC]	025-29675-700
*	62	CONTROL, TEMP. (AUTO. RESET) [LS2]	025-26366-002
*	63	CONTROL, TEMP. (MANUAL RESET) [LS1]	025-30232-700
5	(64)	IGNITOR, SPARK	025-29681-700
5	(65)	SENSOR, FLAME	025-29682-700
6	66	SWITCH, AIR PRESSURE [AS]	025-29679-700
*	67	SWITCH, LIMIT (BURNER ASS'Y HEATSTAT) [RS]	025-26392-003
6	68	TERMINAL BLOCK [TB4]	025-29762-000

\* NOT SHOWN

New replacement parts shown in **bold face** type at the first printing of Parts List code dated 10/95.



**FIG. 5 - BURNER ASS'Y**



**FIG. 6 - ELECTRICAL CONTROLS (GAS HEAT)**

**GAS HEAT CONTROLS (Cont.)**

FIG	ITEM	DESCRIPTION	D1IG150N16550A
			5-BURNER
6	69	TERMINAL BLOCK [TB5]	025-29763-000
6	(70)	TRANSFORMER, IGNITION [3T]	025-29677-700
5	(71)	VALVE, GAS (DUNGS)	025-30237-700
	72	SPACE FOR FUTURE PARTS ADDITIONS	
	73	SPACE FOR FUTURE PARTS ADDITIONS	

**AIR MOVING (BLOWER)**

1	74	BEARING, BALL PILLOW BLOCK (2-REQ'D)	029-20424-700
1	75	SUPPORT, BEARING (2-REQ'D)	063-89950-000
1	76	BELT, FAN (BX58)	028-12411-700
1	77	PLATE, TOP 15" BLOWER	063-89998-000
1	78	PLATE, BTM. 15" BLOWER	063-89999-000
1	79	HOUSING, BLOWER 15" (W/O WHEEL)	063-89951-000
1	(80)	WHEEL, BLOWER 15"	026-25529-702
1	81	POST, BLOWER SUPPORT	063-92560-003
1	82	PULLEY, FIXED PITCH (BLOWER)	028-10564-000
1	83	PULLEY, VAR. PITCH (MOTOR)	028-04765-700
*	84	KEY, 1/4 SQ. X 2" LG. (BLOWER PULLEY)	001-07110-005
*	85	KEY, 1/4 SQ. X 6 3/8" LG. (BLOWER WHEEL)	001-07110-004
*	86	SHAFT, BLOWER	001-07115-000
1	87	SUPPORT, MOTOR	063-89938-000

\* NOT SHOWN

**AIR MOVING (COND. FAN)**

FIG	ITEM	DESCRIPTION	D1IG150N16550A
			5-BURNER
1	88	GUARD, FAN (2-REQ'D)	026-25528-000
1	89	MOTOR MTG. NUTS (BAG OF 4) (2-REQ'D)	363-90117-700
1	90	PLUG, ELECTRICAL HARNESS (2-REQ'D)	025-26387-012
*	91	CHANNEL, WIRING (2-REQ'D)	063-93734-000
1	92	ORIFICE, FAN 24" DIA. (2-REQ'D)	063-89756-000
1	(93)	BLADE, FAN 24" DIA. (2-REQ'D)	026-32169-000

**AIR MOVING (VENTOR)**

4	94	SCROLL, VENTOR (W / O WHEEL)	073-09343-700
*	95	PLATE, VENTOR	063-90037-000
*	96	WHEEL, VENTOR BLOWER	026-32624-700
4	97	SPACER, VENTOR MOTOR	063-92626-000
*	98	PLATE, VENTOR ORIFICE	063-90038-015

**REFRIGERANT**

*	99	CAP, SEAL 1/4 FLARE	023-11018-000
*	100	CORE, VALVE	022-02475-000
*	101	STEM, VALVE (1/4 OD TUBE)	022-08017-000
2	102	COIL, COND. (FRONT FORMED) (SYS.1) (2)	373-10216-701
*	103	HEADER, DISCHARGE (FRONT COIL) (SYS.1)	<b>373-10216-050</b>
2	104	COIL, COND. (REAR FORMED) (SYS.2) (2)	<b>373-13445-101</b>
*	105	HEADER, CONDENSER (REAR COIL)	<b>373-13445-020</b>
1	106	COIL, EVAP (3)	<b>373-13446-001</b>
*	107	HEADER, SUCTION (EVAP COIL , TOP)	<b>373-13446-060</b>
*	108	VALVE, DISTR. 7-TUBE (TOP HEADER) (4)	022-06846-010
*	109	VALVE, THERM. EXP. (TOP HEADER)	022-06848-009
1	110	HEADER, SUCTION (EVAP COIL , BTM)	<b>373-13446-030</b>
*	111	VALVE, DISTR. 9-TUBE (BOTTOM HEADER) (4)	022-06846-011
*	112	VALVE, THERM. EXP. (BOTTOM HEADER)	<b>022-06848-013</b>
1	113	STRAINER-DRIER (2-REQ'D)	029-17738-000
	114	SPACE FOR FUTURE PARTS ADDITIONS	
	115	SPACE FOR FUTURE PARTS ADDITIONS	

**FABRICATED PARTS**

*	116	COVER, DUCT (SUPPLY AIR)	363-90060-711
4	117	COVER, DUCT (OUTSIDE AIR)	363-90060-712
*	118	COVER, DUCT (RETURN AIR W/HOOD OPNG.)	363-90060-713
*	119	COVER, DUCT (BASE, EVAP. SECT.)	363-89941-701
4	120	HOOD, AIR INLET W / O SCREEN	063-75440-000
4	121	SCREEN, AIR INLET	026-31402-000
4	122	HOOD, FLUE OUTLET W / SCREEN	373-10797-700
1	123	PAN, DRAIN	363-93501-000
4	124	PANEL, ACCESS (FILTER/BLOWER) 2-REQ'D	<b>363-89927-013</b>
4	125	PANEL, ACCESS (CNT'L BOX)	<b>363-89937-003</b>
4	126	PANEL, ACCESS (COMPRESSOR)	063-90070-003
4	127	PANEL, ACCESS (GAS HEAT TOP)	<b>073-09047-003</b>
4	128	PANEL, ACCESS (GAS HEAT BTM.)	073-10771-700
4	129	PANEL, CORNER (EVAP. SIDE FRONT)	<b>363-90057-001</b>
4	130	PANEL, DUCT	<b>363-90051-013</b>
4	131	PANEL, TOP (CONDENSER)	063-90013-700
4	132	PANEL, TOP (EVAP)	363-94624-701
4	133	POST, CORNER (RIGHT FRONT)	063-89994-003

\* NOT SHOWN

New replacement parts shown in **bold face** type at the first printing of Parts List code dated 10/95.

(2) INCLUDES HEADER.

(3) INCLUDES HEADERS, DISTRIBUTORS, & TXV VALVES.

(4) CONTAINS BODY & DISTRIBUTOR TUBES.

**FABRICATED  
PARTS**

FIG	ITEM	DESCRIPTION	D1IG150N16550A
			5-BURNER
4	134	POST, CORNER (RIGHT REAR)	063-89995-003
4	135	POST, INTERMEDIATE (L/H)	063-89953-003
4	136	POST, INTERMEDIATE (MIDDLE)	063-89973-003
4	137	POST, INTERMEDIATE (R/H)	063-89987-003
4	138	RAIL, BASE (COND)	063-90011-000
4	139	RAIL, BASE (EVAP)	063-94720-000
4	140	RAIL, BASE (FRONT)	063-90014-000
4	141	RAIL, BASE (REAR)	063-90015-000

**MISC.**

4	142	FILTER, AIR (2 X 18 X 24) TOP	(2-REQ'D)
4	143	FILTER, AIR (2 X 16 X 24) BTM.	(3-REQ'D)
*	144	GUARD, COIL (2-REQ'D)	<b>026-25570-019</b>
*	145	ELBOW, 90 DEG. (5)	023-13649-000
*	146	BUSHING, CONDUIT (5)	025-26385-000
*	147	GROMMET, PVC RED 1-1/16 HOLE	028-07039-000
*	148	GROMMET, PVC RED 1-5/8 HOLE	028-04859-000
*	149	GROMMET, PVC RED 2-1/8 HOLE	028-04791-000

\* NOT SHOWN

(5) ELBOW (023-13649-000) IS HELD IN PLACE ON DRAIN PAN WITH BUSHING (025-26385-000).

**FOR FACTORY OR FIELD INSTALLED ACCESSORIES SEE THE FOLLOWING PARTS LIST:**

**ACCESSORIES - ELECTRICAL**

DESCRIPTION	MODEL NO.
ANTI-RECYCLE TIMER	2AC04700424
LOW AMBIENT TO 0 DEG. F (460V & 50 HZ)	2LA04700846
MOTORIZED OUTDOOR AIR DAMPER	2MD04700224
ELECT. ENTHALPY ECONO. / SINGLE INPUT	2EE04700324
ELECT. ENTHALPY ECONO. / DUAL INPUT	2EE04700424
COND. FAN MOTOR (460V & 50 HZ MODELS)	2CM04600851

**ACCESSORIES - NON-ELECTRICAL**

DESCRIPTION	MODEL NO.
RELIEF/FIXED AIR DAMPER	1RF0401

# NOTES

# NOTES



Heating and Air Conditioning

Unitary Products Group  
P.O. Box 1592, York, Pennsylvania USA 17405-1592  
Subject to change without notice. Printed in U.S.A.  
Copyright © by York International Corporation 1995. All rights reserved.

SHU 2M 1095 .44



530.27-RP2YI