

LEGEND

- MS MAIN SWITCH
- AS SWITCH, VENT AIR PRESSURE
- BOR RELAY, BLOWER OVERLOAD
- GS SWITCH, GAS SUPPLY PRESSURE
- CCH1-3 CRANKCASE HEATER
- CU COMPRESSOR LOCKOUT INDICATOR LIGHT
- DAS DISCHARGE SENSOR
- ES ENTHALPY SENSOR
- FS1 & 2 LOW EVAPORATOR TEMPERATURE THERMOSTAT
- F1-2 COMPRESSOR PROTECTION
- F3 COND. FAN PROTECTION
- F4 CCH PROTECTION ( 10A )
- F5 EVAP FAN PROTECTION
- F10 CONTROL CURRENT PROTECTION ( 10 A )
- F11 CONTROL CURRENT PROTECTION ( 4 A )
- GV1 & 2 GAS VALVE
- HP1 & 2 CONTROL HIGH PRESSURE
- IC1 & 2 IGNITION CONTROL
- \* K3 COMP1/2 LOCKOUT RELAY
- K4 COMP2 LOCKOUT RELAY
- K5 BLOWER INTERLOCK RELAY
- LS1 LIMIT SWITCH, MANUAL RESET
- LS2 LIMIT SWITCH, AUTO-RESET
- M1 COMP1/2 CONTACTOR
- M2 COMP3 CONTACTOR
- M3 CONTACTOR EVAP FAN
- M4 CONTACTOR COND FAN1
- M5 CONTACTOR COND FAN2
- OR OCCUPIED RELAY
- 1RC RUN CAPACITOR COND FAN1
- 2RC RUN CAPACITOR COND FAN2
- RS RELAY, IGNITION SEQUENCE
- RS ROLLOUT SWITCH
- RW1 & 2 RELAY HEAT
- RY1 & 2 RELAY Y1 & Y2
- 1T TRANSFORMER 75VA
- TAR1.2 TIMER GAS RESET
- TB1 ROOM THERMOSTAT TERM BLOCK
- TC1 & 2 THERMOSTAT COOLING
- TOR TIME DELAY RELAY
- TH1 & 2 THERMOSTAT HEATING
- TLA THERMOSTAT LOW AMBIENT
- S4/P4 SOCKET/PLUG CONNECTION, 15 PIN ON COND PARTITION
- S6/P6 SOCKET/PLUG CONNECTION 24V, 16 PIN ON RELAY BOARD
- S7/P7 SOCKET/PLUG CONNECTION, 9 PIN ON COND PARTITION
- S8/P8 SOCKET/PLUG CONNECTION, 3 PIN IN ECON SECTION
- S9/P9 SOCKET/PLUG CONNECTION 24V 6 PIN ON 24V CONTROL BOX PARTITION
- S10/P10 SOCKET/PLUG CONNECTION 2 PIN ON CONDENSER PARTITION

RF1/2 240VAC RELAY  
 RF3 24VAC RELAY  
 RW3/4 24VAC RELAY

SHEET Rev DESCRIP

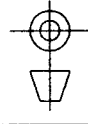
SHEET	Rev	DESCRIP
01	1	INDEX
02	1	MAIN CURRENT
03	1	MAIN CURRENT
04	1	CONTROL CURRENT
05	1	CONTROL CURRENT
06	1	CONTROL CURRENT
07	1	CONTROL CURRENT
08	1	CONTROL CURRENT
09	1	
10	1	

To	Number	Edition	Date

DRAWING REFERENCE

Symbol	Reference
Electromechanical drawing	NEN 5152 - UDC 6213 : 003.62 : 744.4
Electromechanical wiring	NEN 5158 - UDC 6213 : 744.4
PANEL	NEN 1010 - UDC 6213161 - IEC publ. 364
	NEN 2439 - UDC 6213163/5027.2 : 614.825 - IEC 439

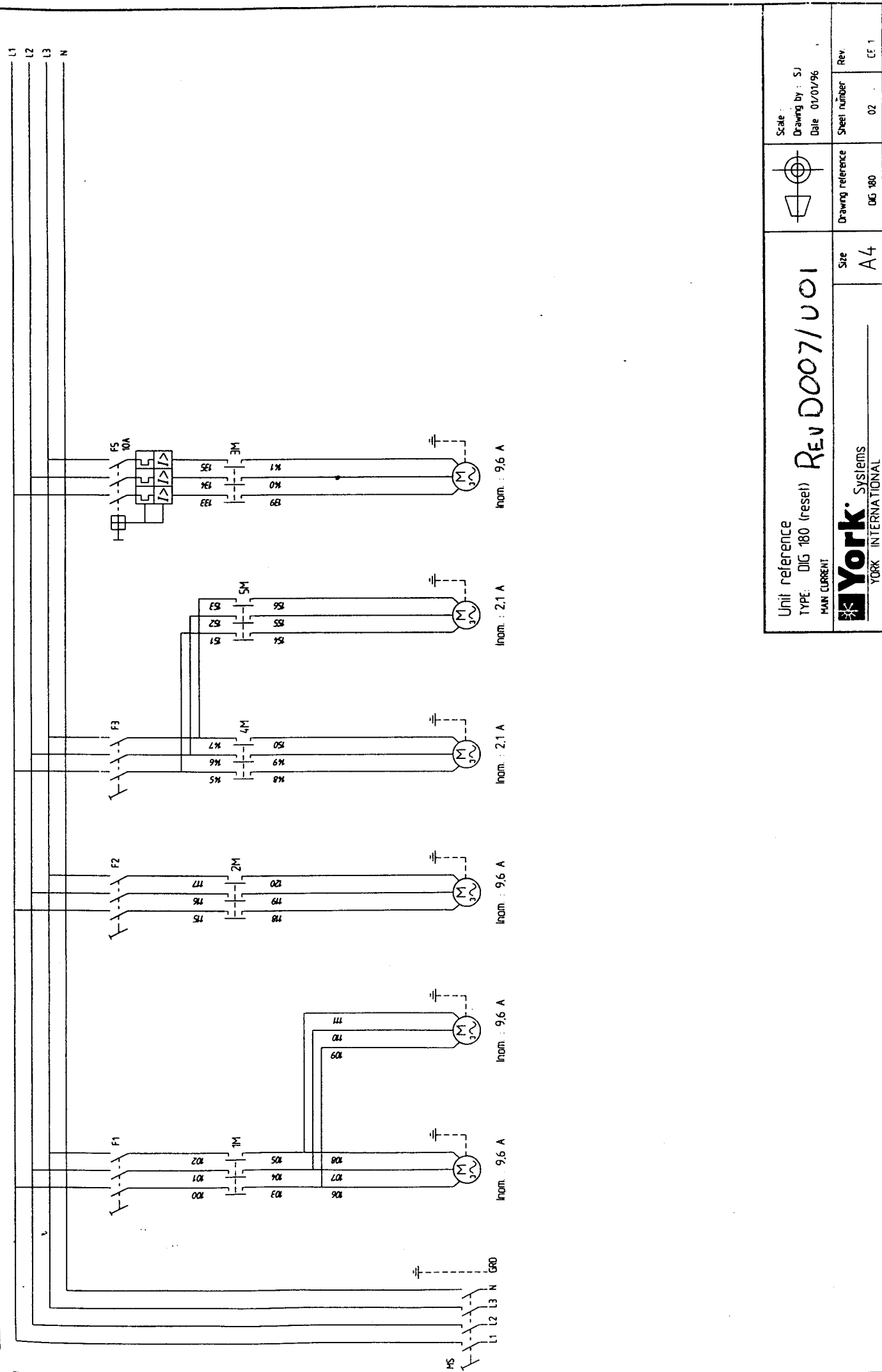
CHANGE	DATE	DESCRIPTION



Scale  
 Drawn SJ  
 Date 01/01/96  
 Sheet no. 01  
 Rev.

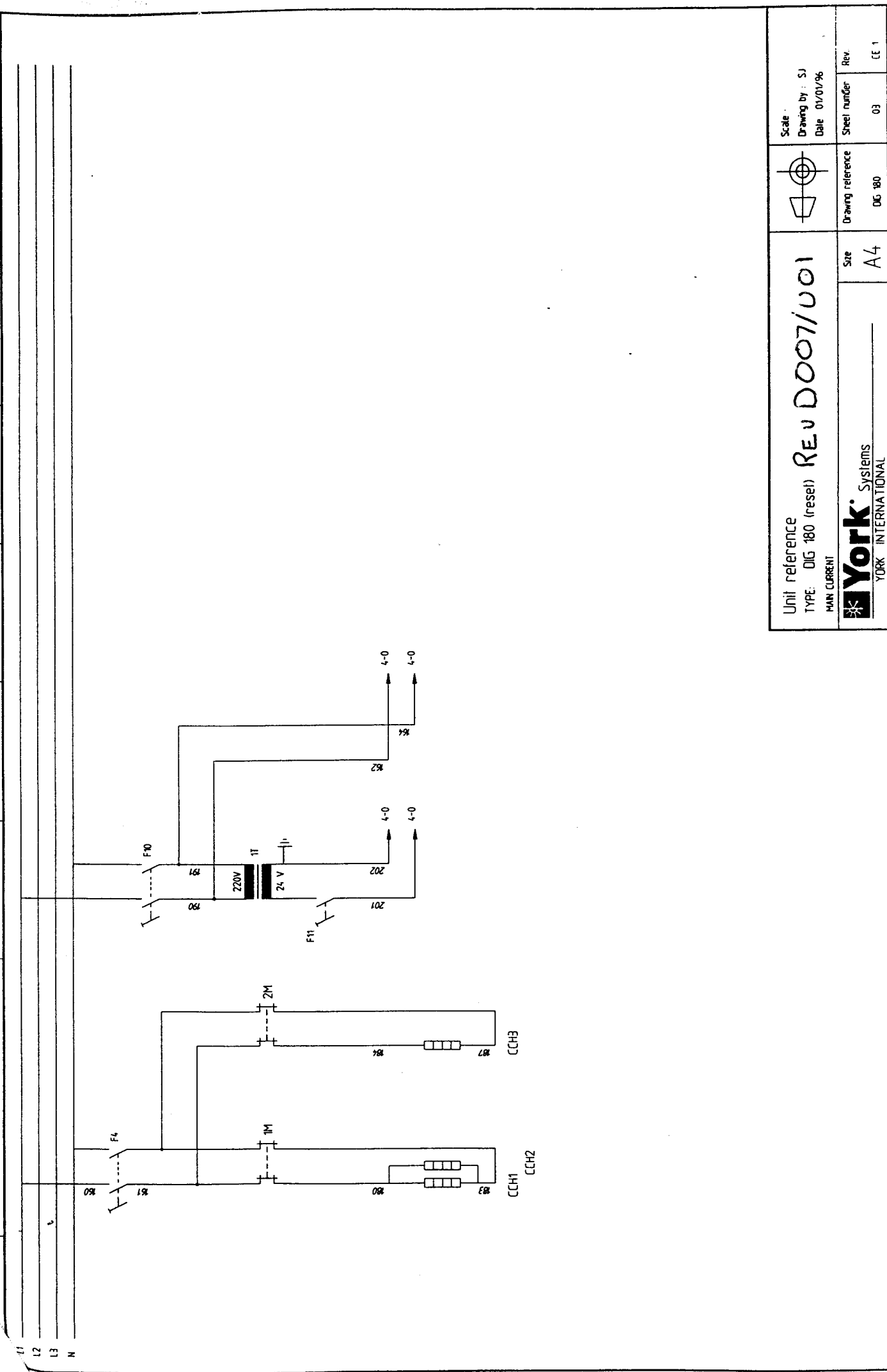
Unit reference  
 DIG 180 (reset) Rev D007/101  
 Size A4  
 Drawing no. DG 180  
 York Systems INTERNATIONAL  
 YORK INTERNATIONAL

6	RATOR	CONDIFAN2	CONDIFAN1	COMPRESSOR 2	COMPRESSOR 1
7					
8					
9					



Unit reference TYPE: DIG 180 (reset) MAIN CURRENT		REV D007/U01		Scale: Drawing by: SJ Date 01/01/96	
York Systems YORK INTERNATIONAL		Size A4		Drawing reference DG 180	
		Sheet number 02		Rev. CE 1	

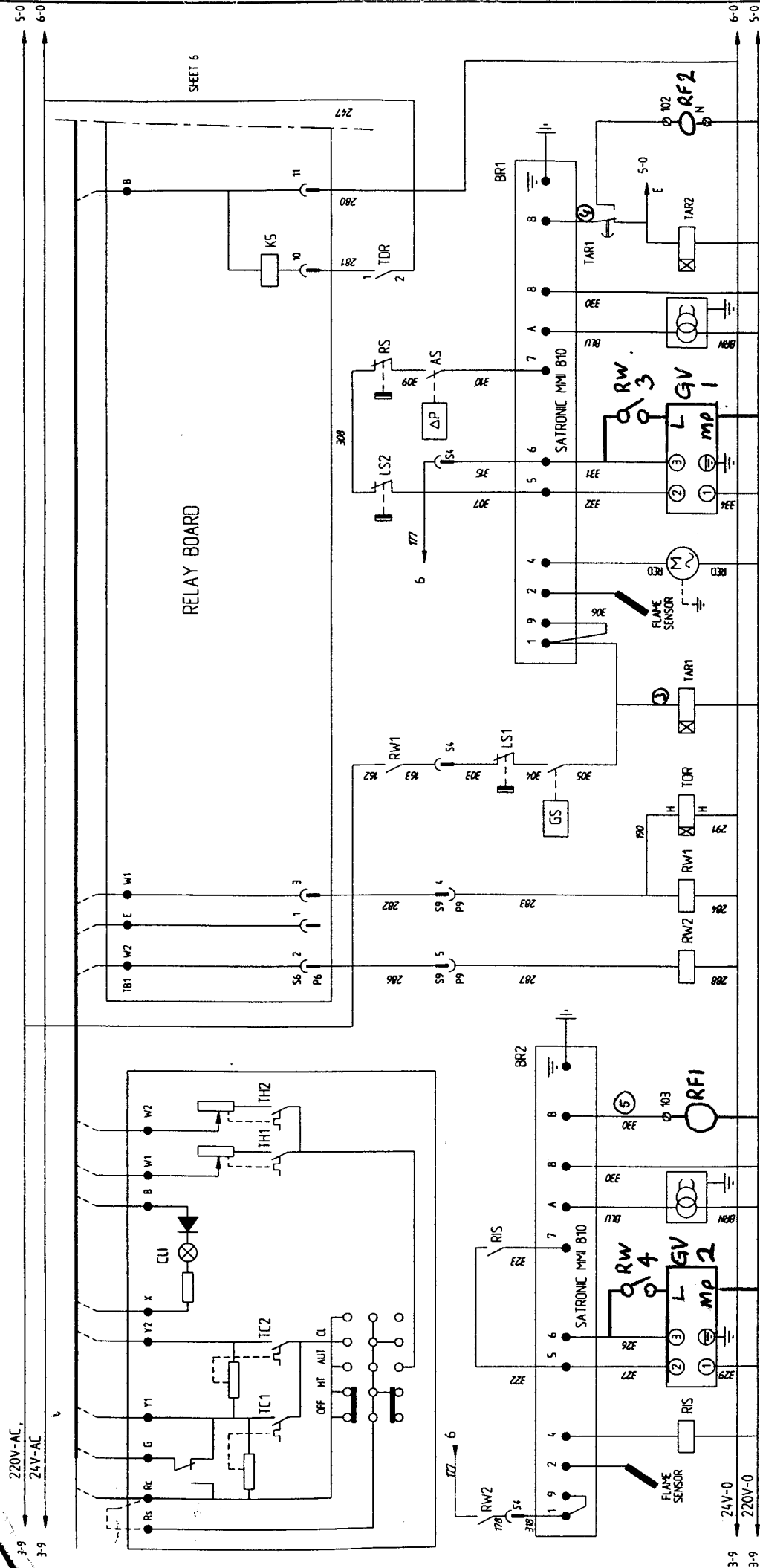
1	CRANKCASE HEATING	3	CONTROL	5	24V-AC
2		4	CONTROL CURRENT	6	220V-AC



Unit reference		REU D007/001		Scale	
TYPE: DIG 180 (reset)				Drawing by : SJ	
MAN CURRENT		Size A4		Date 01/01/96	
York Systems INTERNATIONAL		Drawing reference DG 180		Sheet number 03	Rev. CE 1

RELAY BOARD

SHEET 6



IGNITION  
Timer 1.6 - 30 Sec  
Setting point 2 sec.

DRAFT MOTOR  
Timer 3-80min  
Setting point 4 min

IGNITION

no 0	no 5	no 8
------	------	------

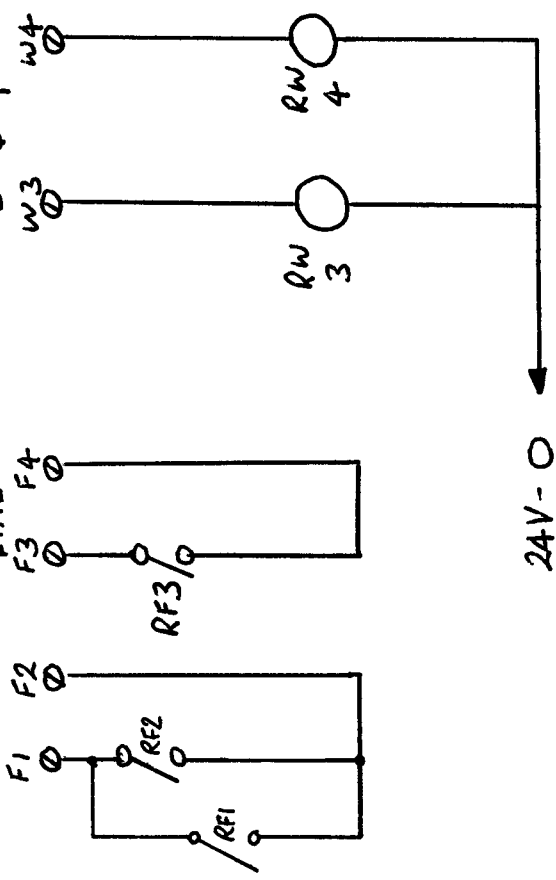
no 2
------

Unit reference TYPE: DIG 180 (reset) CONTROL CURRENT	Rev. CE 1
Scale: Drawing by: SJ Date 01/07/96	Sheet number: 04
Drawing reference DIG 80	Size A4
<b>York</b> Systems INTERNATIONAL	
REV D0071001	

HEAT STAGE

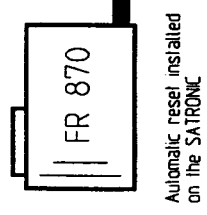
COOLING FAIL

HEATING FAIL

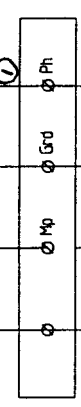


24V - 0

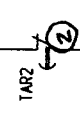
4-9 220V - AC



BRUN  
BLUE  
GREEN/YELLOW

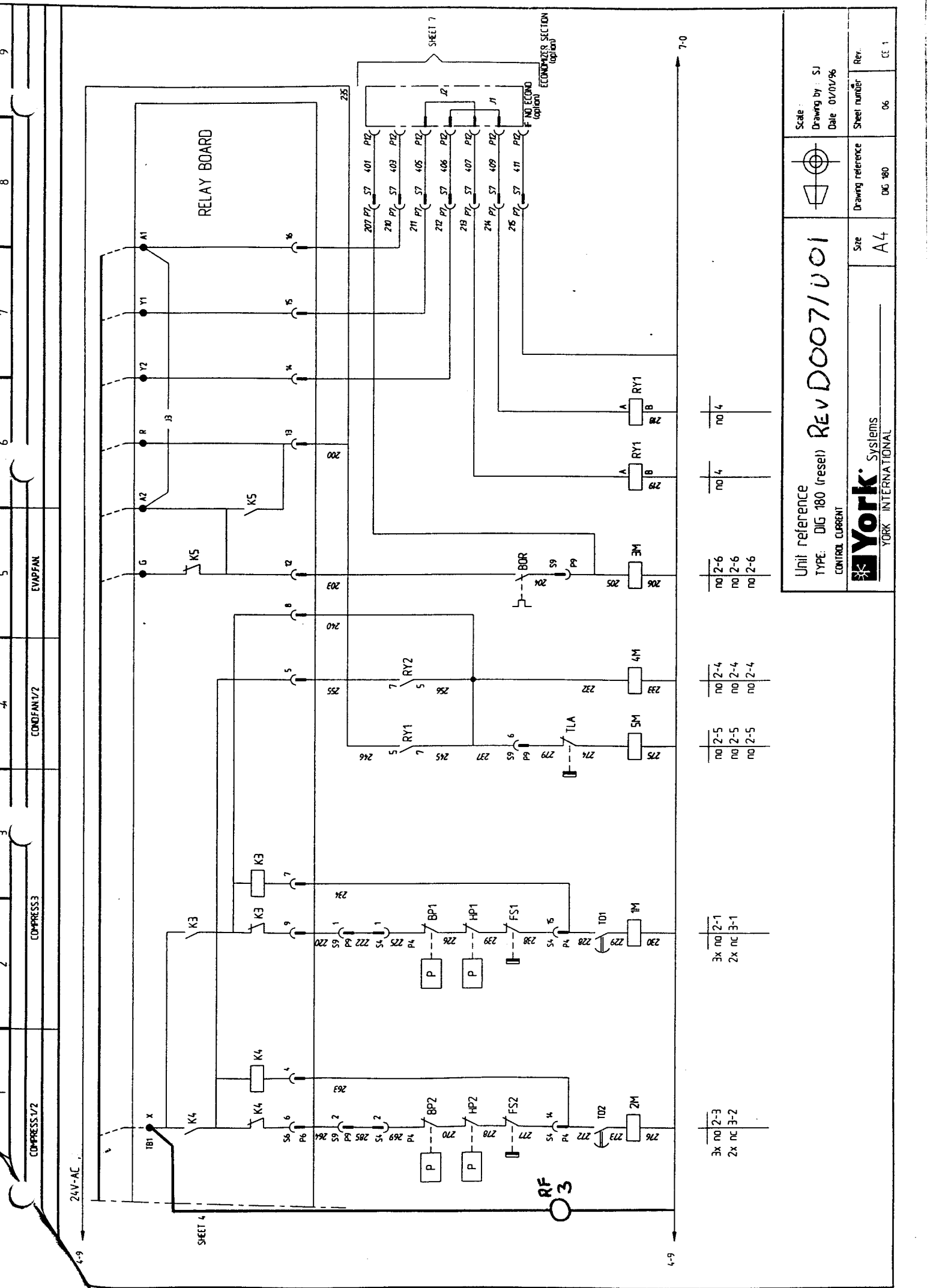


4-8 E



4-9 220V - 0

Unit reference TYPE: DIG 180 (reset) CONTROL CURRENT	REV 0007/U01	Size A4	Sheet numbr.: 05	Rev.: CE1
Scale: Drawing by: SJ Date: 01/01/96		Drawing reference DIG 180		
 <b>York</b> Systems YORK INTERNATIONAL				

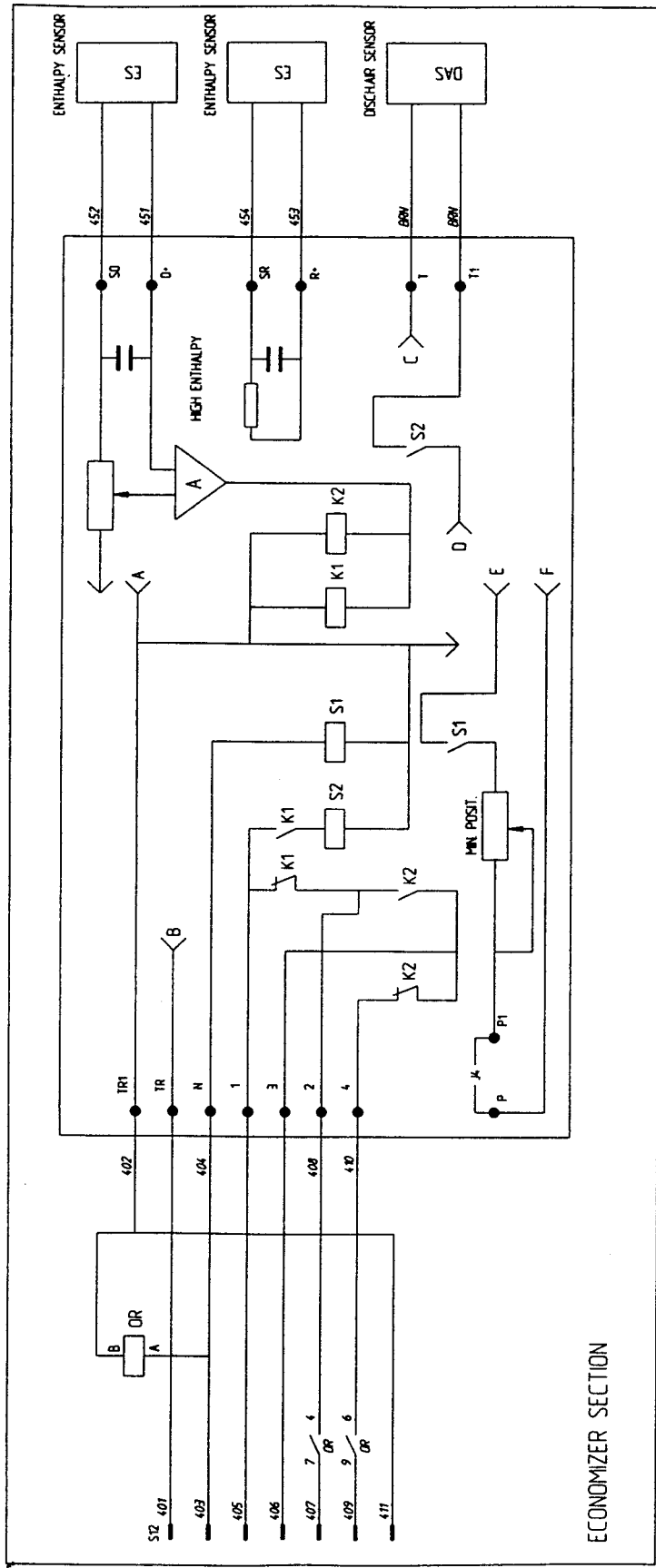


Unit reference TYPE: DIG 180 (reset)		Scale Drawing by: SJ Date 01/01/96	
CONTROL CURRENT		Drawing reference DC 180	
York Systems INTERNATIONAL		Sheet number 06	
Rev D0071001		Rev. CE 1	
Size A4			

no 2-6	no 4	no 2-4	no 2-5	3x no 2-3
no 2-6	no 4	no 2-4	no 2-5	no 2-3
no 2-6	no 4	no 2-4	no 2-5	no 3-2
no 2-6	no 4	no 2-4	no 2-5	no 3-1

7-0

4-9



ECONOMIZER SECTION

Unit reference TYPE: DIG 180 (reset) CONTROL CURRENT	Scale: Drawing by: SJ Date 01/01/96	Sheet number: 07	Rev. CE 1
RevD007/001	Drawing reference DIG 180	Size A4	
York Systems INTERNATIONAL			