

D1EG150  
D2CG/DBUC150  
D3CG/DCUC150  
SINGLE PACKAGE AIR CONDITIONERS  
WITH GAS HEAT  
208/230-3-60 (NUMBER/COLOR CODED WIRE)  
380/415-3-50  
460-3-60

035-11235  
REV. A (294)

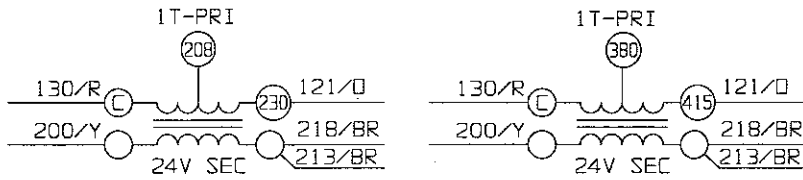
LEGEND

LP1-2	CONTROL, LOW PRESSURE	TB1	ROOM THERMOSTAT TERM. BLOCK
CB	CIRCUIT BREAKER	TC1 & 2	THERMOSTAT COOLING
CCH	CRANKCASE HEATER	TD1 & 2	ANTI-SHORT CYCLE TIMER (ACCESS)
CLI	COMPR. LOCKOUT INDICATOR LIGHT	TDR	TIME DELAY RELAY
CS	CENTRIFUGAL SWITCH	TH1 & 2	THERMOSTAT HEATING
DMR	DRAFT MOTOR RELAY	S3/P3	SOCKET/PLUG CONNECTION, 24V., 3 PIN ON EVAP. PARTITION PANEL
FS1 & 2	LOW EVAPORATOR TEMPERATURE THERMOSTAT	S4/P4	SOCKET/PLUG CONNECTION, 24V., 208/230V, 380/415V & 460V ON EVAP. PARTITION PANEL
GV	GAS VALVE	S5/P5	SOCKET/PLUG CONNECTION, 24V., 9 PIN ON EVAP. COIL BAFFLE
HP1 & 2	CONTROL, HIGH PRESSURE	S6/P6	SOCKET/PLUG CONNECTION, 24V., 16 PIN ON RELAY BOARD
IC	IGNITION CONTROL	S7/P7	SOCKET/PLUG CONNECTION, 24V., 12 PIN ON RELAY BOARD
K3	COMPR. 1 LOCKOUT RELAY	—————	FACTORY WIRING & DEVICES
K4	COMPR. 2 LOCKOUT RELAY	—————	OPTIONAL WIRING & DEVICES
K5	BLOWER INTERLOCK RELAY	- - - - -	FIELD WIRING
LS	LIMIT SWITCH	□	TB1 ON RELAY BOARD
1M	COMPR. 1 CONTACTOR	△	ROOM THERMOSTAT 24V CONNECTIONS
2M	COMPR. 2 CONTACTOR	⊗	IDENTIFIED TERMINAL ON RUN CAPACITOR
3M	CONTACTOR, I.D. FAN		
OR	OCCUPIED RELAY		
1RC	RUN CAPACITOR, NO.1 D.D. FAN MOTOR		
2RC	RUN CAPACITOR, NO.2 D.D. FAN MOTOR		
RS	ROLLOUT SWITCH		
1T	TRANSFORMER 75VA		
SS	SURGE SUPPRESSOR - OPTIONAL		

NOTES:

1. ALL FIELD WIRING PER:
  - (A.) NATIONAL ELEC. CODE (NEC) AND/OR
  - (B.) CANADIAN ELEC. CODE (CEC) AND/OR
  - (C.) LOCAL OR CITY CODES
2. DRAFTING PRACTICES & SYMBOLS PER ARI GRAPHIC ELECTRICAL STANDARDS.
3. IF ANY OF THE ORIGINAL WIRES, AS SUPPLIED WITH THE UNIT, MUST BE REMOVED, IT MUST BE REPLACED WITH TYPE AWG 105°C 600V WIRE OR EQUIVALENT.
4. UNIT WIRED FOR 230V. FOR 208V, MOVE 121/O TO 208V TERM ON 1T. UNIT WIRED FOR 415V. FOR 380V MOVE 121/O TO 380V TERM. ON 1T.
5. WHEN TD1 IS INSTALLED, CONNECT 208/BL(P6-7) AND BL(FS1) WIRES AT 1M TO TERMINAL 3 OF TD1 AND CONNECT WIRE FROM TD1 TERMINAL 1 TO 1M. WHEN TD2 IS INSTALLED, CONNECT 211/O(P6-4) AND BL(FS2) WIRES AT 2M COIL TO TERMINAL 3 OF TD2 AND CONNECT WIRE FROM TERMINAL 1 OF TD2 TO 2M.
6. MOTORS ARE INHERENTLY PROTECTED.
7. RESISTOR ACROSS S<sub>R</sub> & +<sub>R</sub> MUST BE INSTALLED FOR SINGLE (OUTSIDE AIR) ENTHALPY CONTROL. RESISTOR IS REMOVED AND DISCARDED WHEN SECOND SENSOR (RETURN AIR) IS INSTALLED.
8. SEE UNIT NAMEPLATE FOR MAX. FUSE OR CIRCUIT BREAKER SIZE AND MIN. CIRCUIT AMPACITY.
9. REMOVE JUMPER WIRE 270/W IF OCCUPIED SWITCH IS INSTALLED. OTHERWISE THE W JUMPER WIRE MUST BE INSTALLED BETWEEN "A1" AND "A2".
10. UNIT WIRED FOR 415V. FOR 380V MOVE 121/O WIRE TO 380V TERM ON 1T.
11. WHEN ECONOMIZER IS INSTALLED REMOVE PLUG WITH JUMPER WIRES 816/W & 817/R.

CAUTION - OPEN ALL DISCONNECTS  
BEFORE SERVICING THIS UNIT



208/230V ONLY

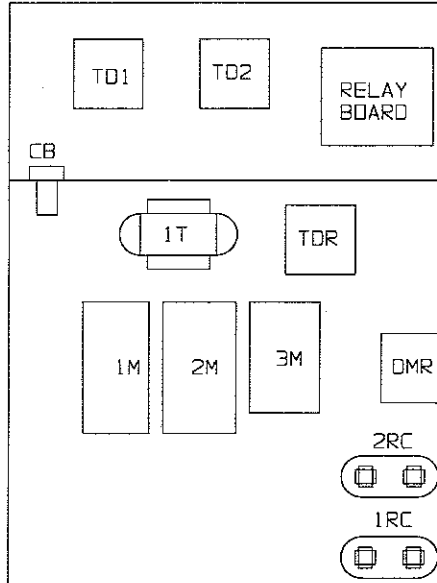
**DETAIL A**

380/415V ONLY

(SEE NOTE 4)

RELAY TIMING CHART (MAX. TIME)			
SEQ	TERM.	DELAY ON	DELAY OFF
TDR	M1-M2	20-45 SECONDS	20-60 SECONDS
	M3-M4	1-30 SECONDS	40-80 SECONDS

COMPONENT MAP



Supersedes: Nothing

Subject to change without notice. Printed in U.S.A.

Copyright © by Central Environmental Systems 1994. All rights reserved. SHU 3M 294 .22

Codes: WBY,WBW

035-11235A

Central  
Environmental  
Systems

Post Office  
Box 1592

York  
Pennsylvania  
17405-1592

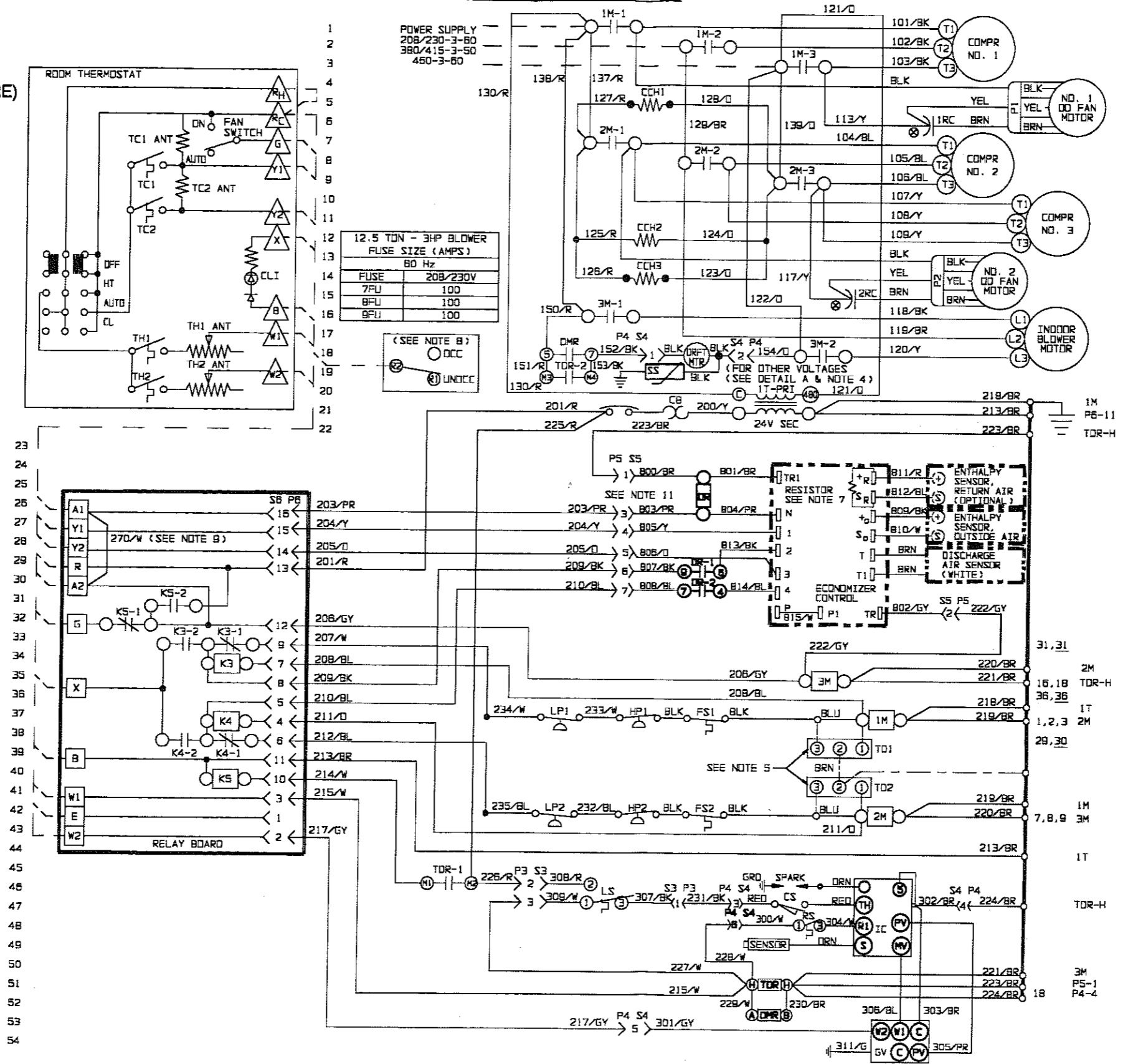
D1EG150  
 D2CG/DBUC150  
 D3CG/DCUC150  
 SINGLE PACKAGE  
 AIR CONDITIONERS  
 WITH GAS HEAT

208/230-3-60  
 380/415-3-50  
 460-3-60

(NUMBER/COLOR CODED WIRE)

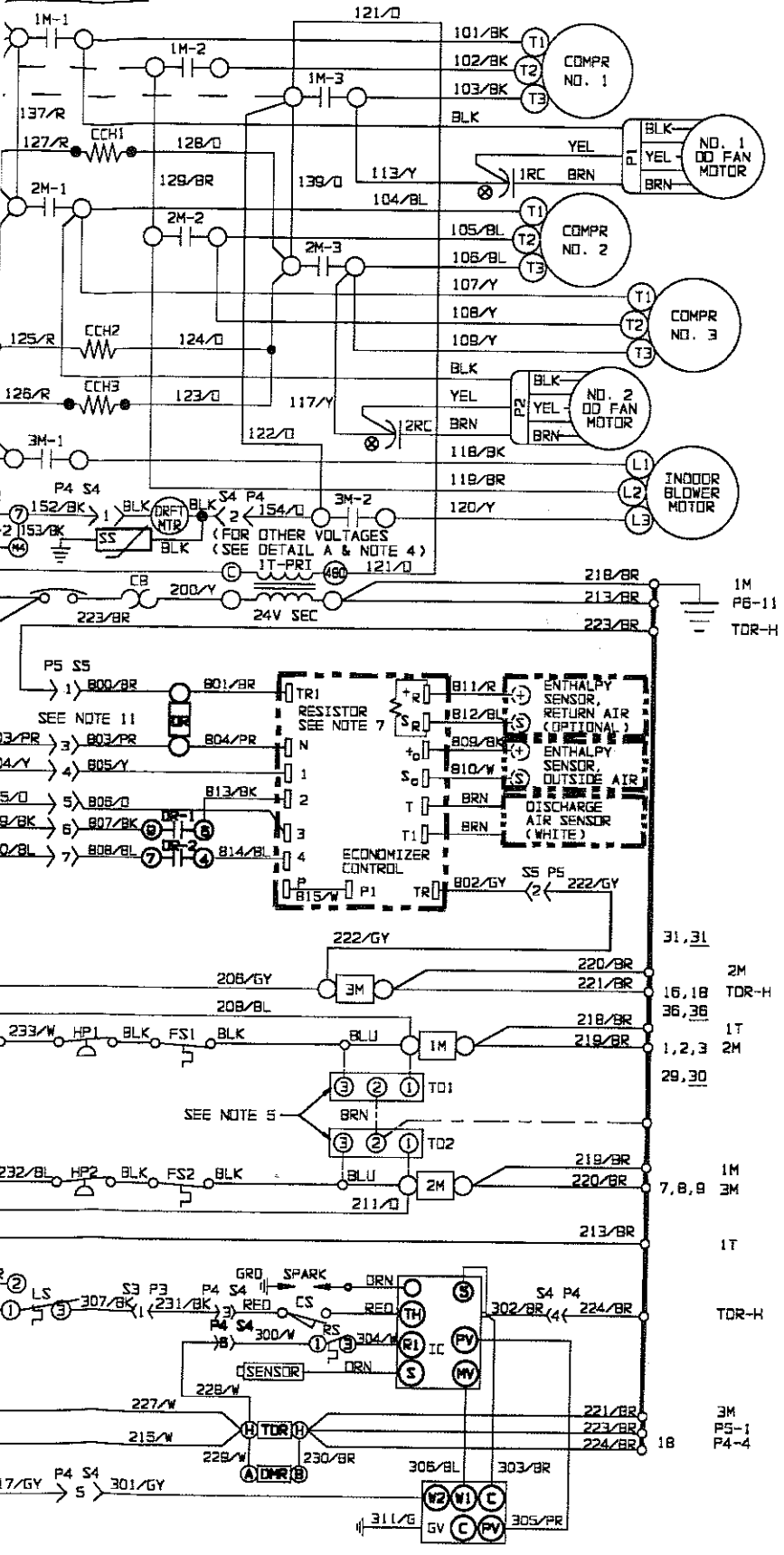
035-11235  
 REV. A (294)

COOLING UNIT WITH GAS HEAT  
 CONNECTION DIAGRAM



15  
4)

WITH GAS HEAT  
DIAGRAM



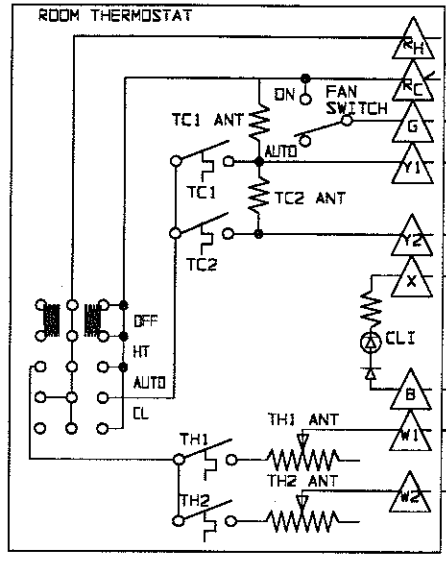
D1EG150  
 D2CG/DBUC150  
 D3CG/DCUC150  
 SINGLE PACKAGE  
 AIR CONDITIONERS  
 WITH GAS HEAT

208/230-3-60  
 380/415-3-50  
 460-3-60

(NUMBER/COLOR CODED WIRE)

035-11235  
 REV. A (294)

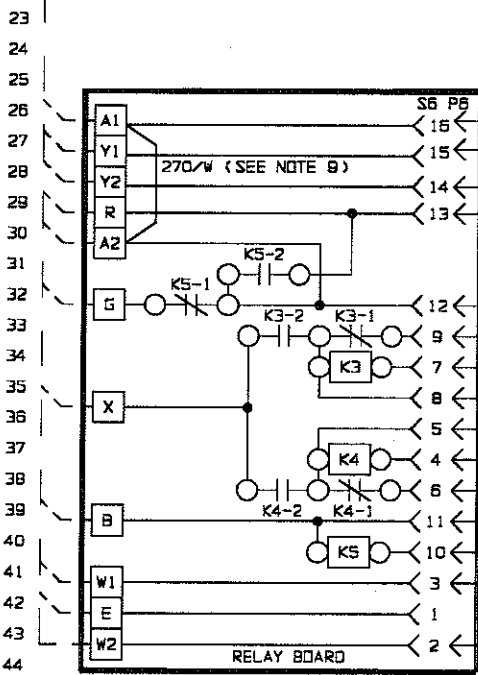
COOLING UNIT WITH  
 CONNECTION DIAGRAM



POWER SUPPLY  
 208/230-3-60  
 380/415-3-50  
 460-3-60

12.5 TON - 3HP BLOWER	
FUSE SIZE (AMPS)	
60 Hz	
FLUSE	208/230V
7FLU	100
8FLU	100
9FLU	100

(SEE NOTE B)  
 ○ DCC  
 ⊗ UNDC



23  
24  
25  
26  
27  
28  
29  
30  
31  
32  
33  
34  
35  
36  
37  
38  
39  
40  
41  
42  
43  
44  
45  
46  
47  
48  
49  
50  
51  
52  
53  
54

