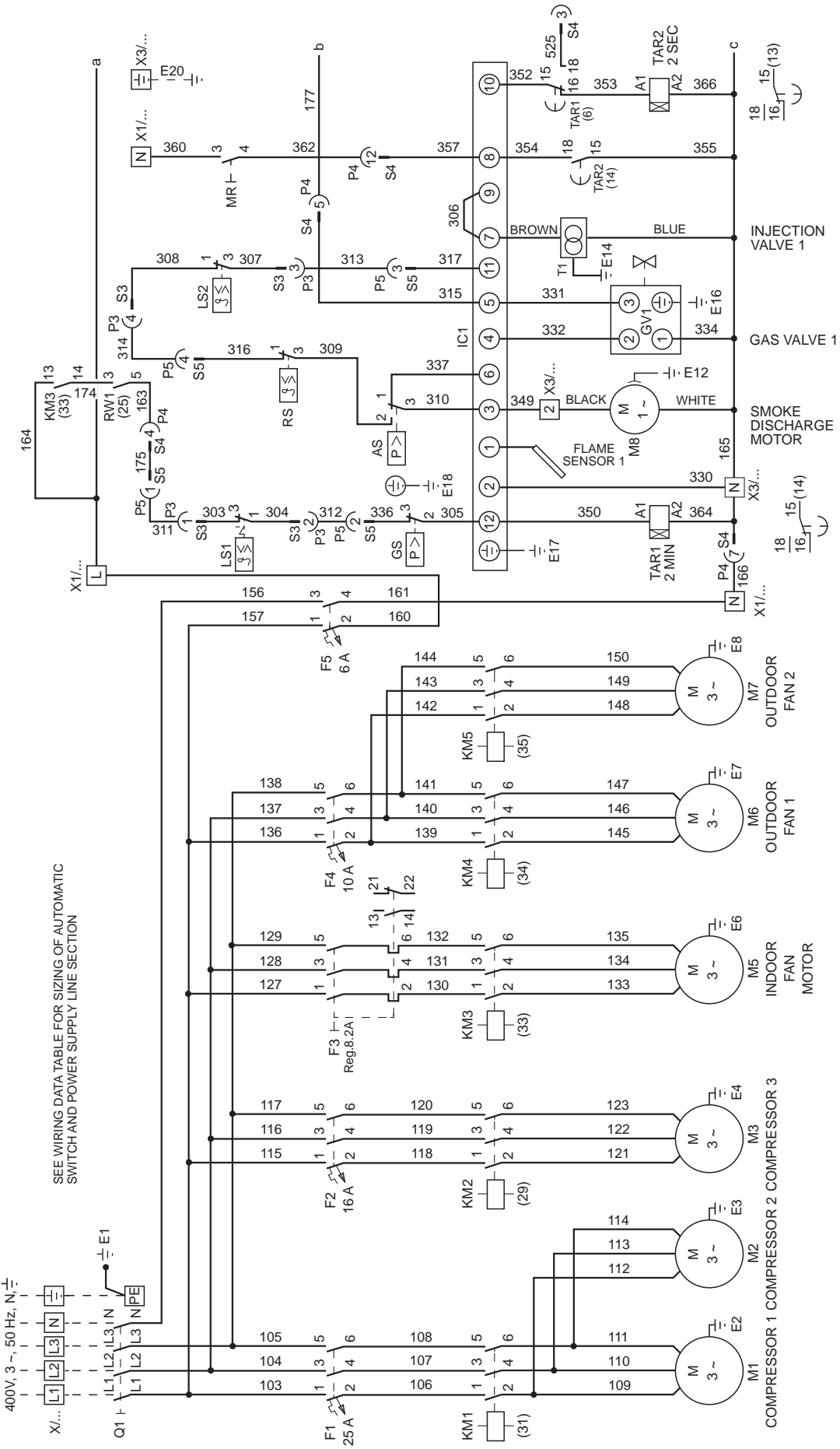
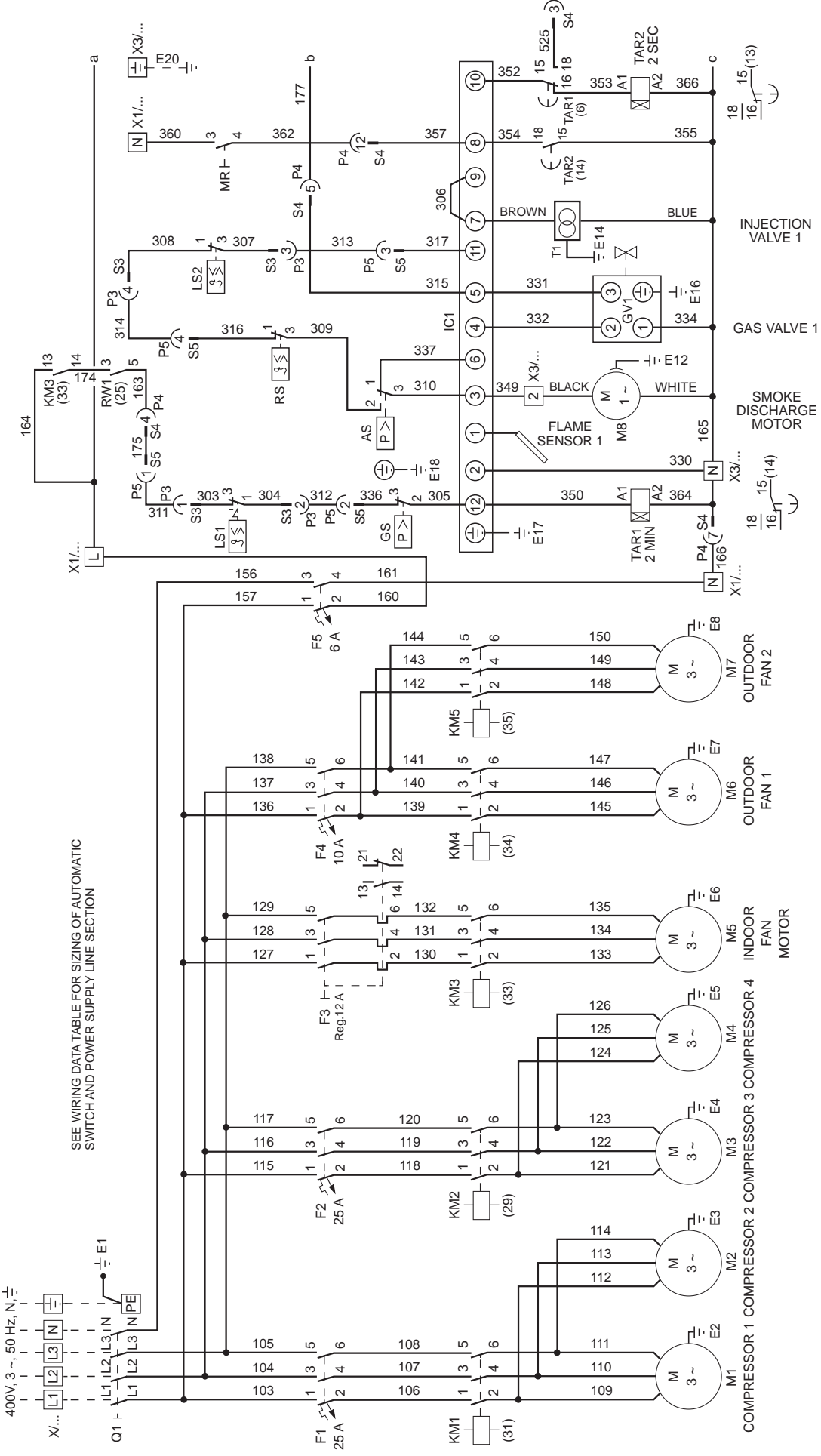


(01) (02) (03) (04) (05) (06) (07) 1 2 3 6 7 8 9 10 11 12 13 14



I-1848-1/b (1 of 4)
D2IG180N32050

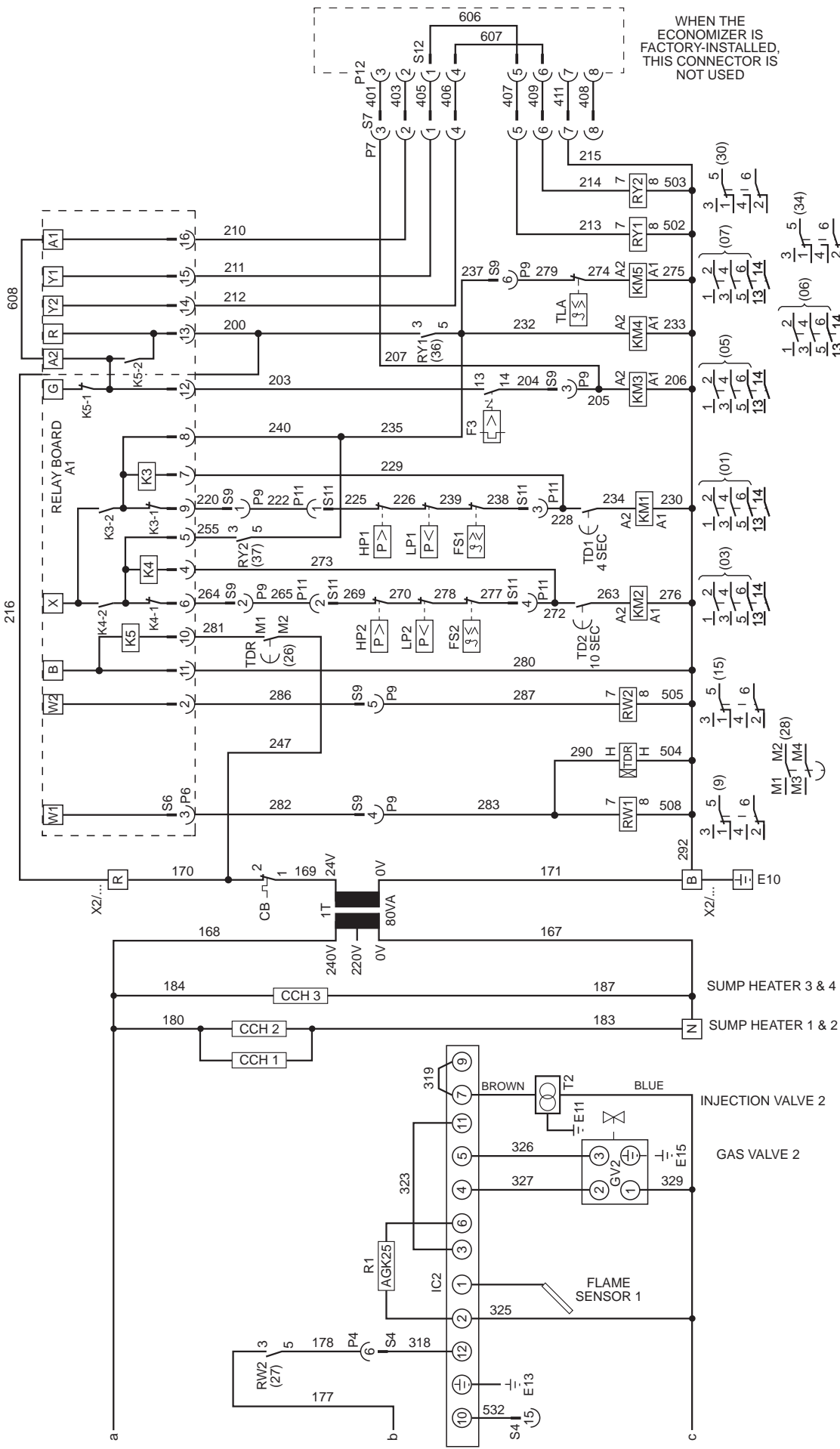
(01) (02) (03) (04) (05) (06) (07) 1 2 3 6 7 8 9 10 11 12 13 14



SEE WIRING DATA TABLE FOR SIZING OF AUTOMATIC SWITCH AND POWER SUPPLY LINE SECTION

I-1848-2/b (2 of 4)
D2IG240N32050

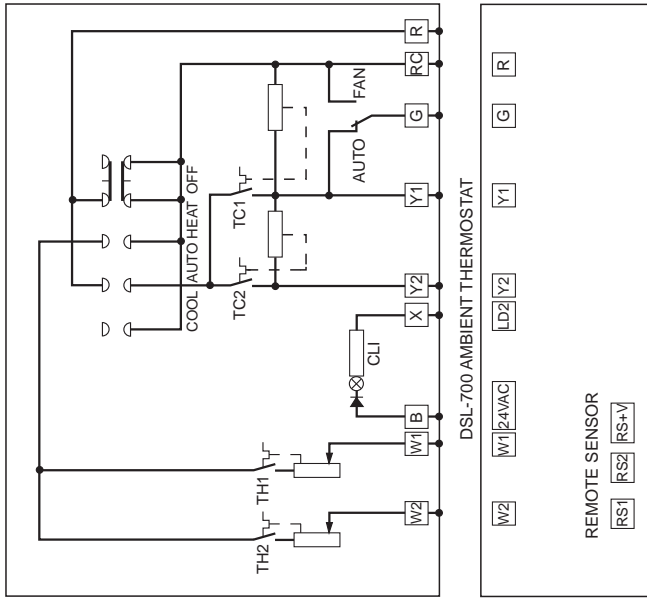
14a 15 16 17 18 19 20 21 22 23 24 25 26 27 28 29 30 31 32 33 34 35 36 37 38 39



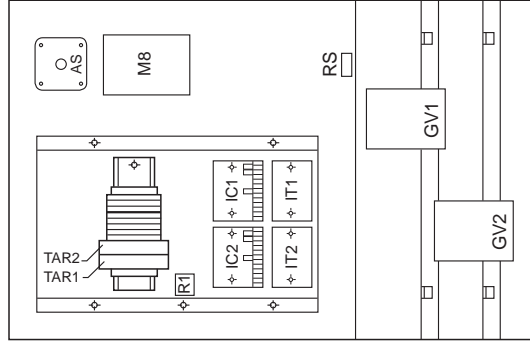
WHEN THE ECONOMIZER IS FACTORY-INSTALLED, THIS CONNECTOR IS NOT USED

I-1848-3/b (3 of 4)
D21G180N32050
D21G240N32050

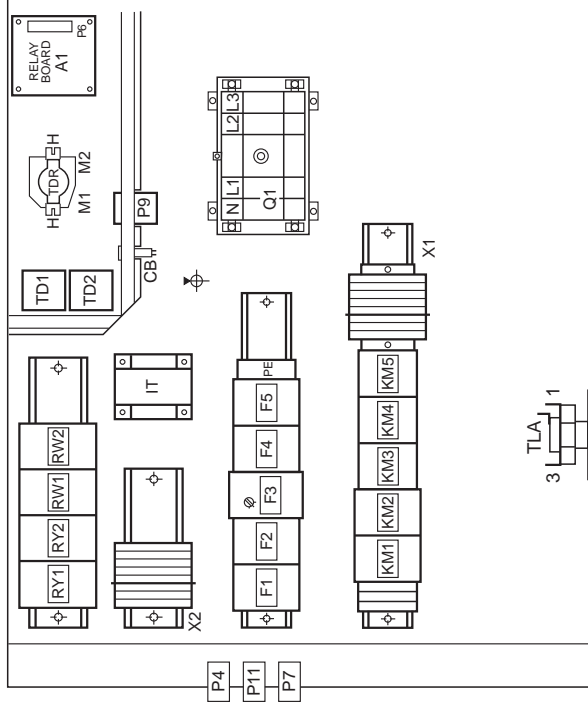
AMBIENT THERMOSTAT



GAS SECTION



CONTROL PANEL



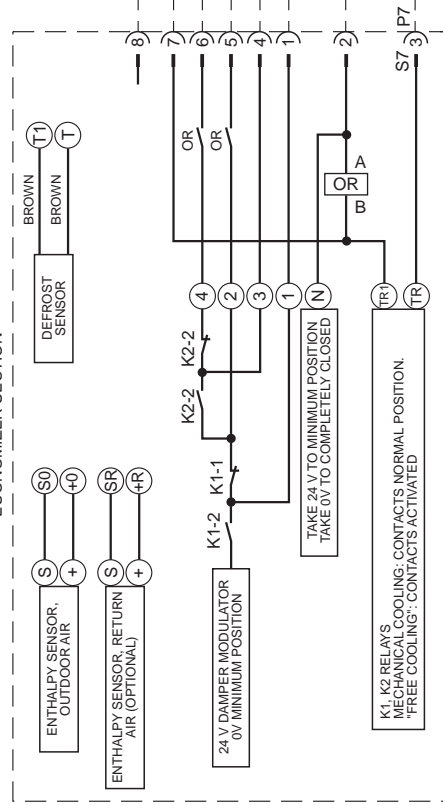
1T- 24-VAC TRANSFORMER

- A1.- 24-VAC THERMOSTAT RELAY BOARD
- AS.- AIR PRESSURE SWITCH
- CB.- 24-VAC CIRCUIT BREAKER
- CCH1 ÷ 3.- SUMP HEATER
- CLI.- COMPRESSOR LOCK-OUT INDICATOR
- F1 & F2.- COMPRESSOR AUTOMATIC SWITCH
- F3.- AUTOMATIC SWITCH, INDOOR FAN
- F4.- AUTOMATIC SWITCH, OUTDOOR FANS 1 & 2
- F5.- AUTOMATIC SWITCH, 220 VAC
- GS.- GAS PRESSURE SWITCH
- GV1 & GV2.- GAS VALVES
- HP1 & HP2.- HIGH PRESSURE CONTROL
- IC1 & IC2.- GAS CONTROL
- IT1 & IT2.- IGNITION TRANSFORMER
- KM1 & KM2.- COMPRESSOR CONTACTS
- KM3.- INDOOR FAN CONTACT
- KM4.- OUTDOOR FAN CONTACT 1
- KM5.- OUTDOOR FAN CONTACT 2
- LP1 & LP2.- LOW PRESSURE CONTROL
- LS1.- MANUAL RESET TEMPERATURE LIMIT
- LS2.- AUTO RESET TEMPERATURE LIMIT
- M8.- SMOKE EVACUATION MOTOR
- OR.- OCCUPIED RELAY

P3/S3, P5/S5.- TEMPERATURE SENSOR CONNECTOR

- P4/S4.- GAS CONTROL CONNECTOR
- P6/S6.- RELAY PLATE 24V CONNECTOR
- P7/S7, P12/S12.- ECONOMIZER CONNECTOR
- P9/S9.- 24 VAC PARTITION CONNECTOR
- P11/S11.- COMPRESSOR SAFETY CONNECTOR
- PE.- GROUNDING TERMINAL
- Q1.- MAIN SWITCH
- R1.- PTC-REF. AGK25
- RIS.- IGNITION SEQUENCE RELAY
- RS.- BURNER TEMPERATURE SENSOR
- RW1 & RW2.- HEAT RELAY, 1st & 2nd STAGES
- RY1 & RY2.- HEAT RELAY
- TAR1.- 4 MIN. GAS RESET TIMER
- TAR2.- 2 SEC. TIMER
- TD1.- 4 SEC. TIMER
- TD2.- 10 SEC. TIMER
- TDR.- DELAY RELAY
- X1.- POWER CONNECTING STRIP
- X2.- 24-VAC CONNECTING STRIP

ECONOMIZER SECTION



I-1848-4/b (4 of 4)
D2IG180N32050
D2IG240N32050