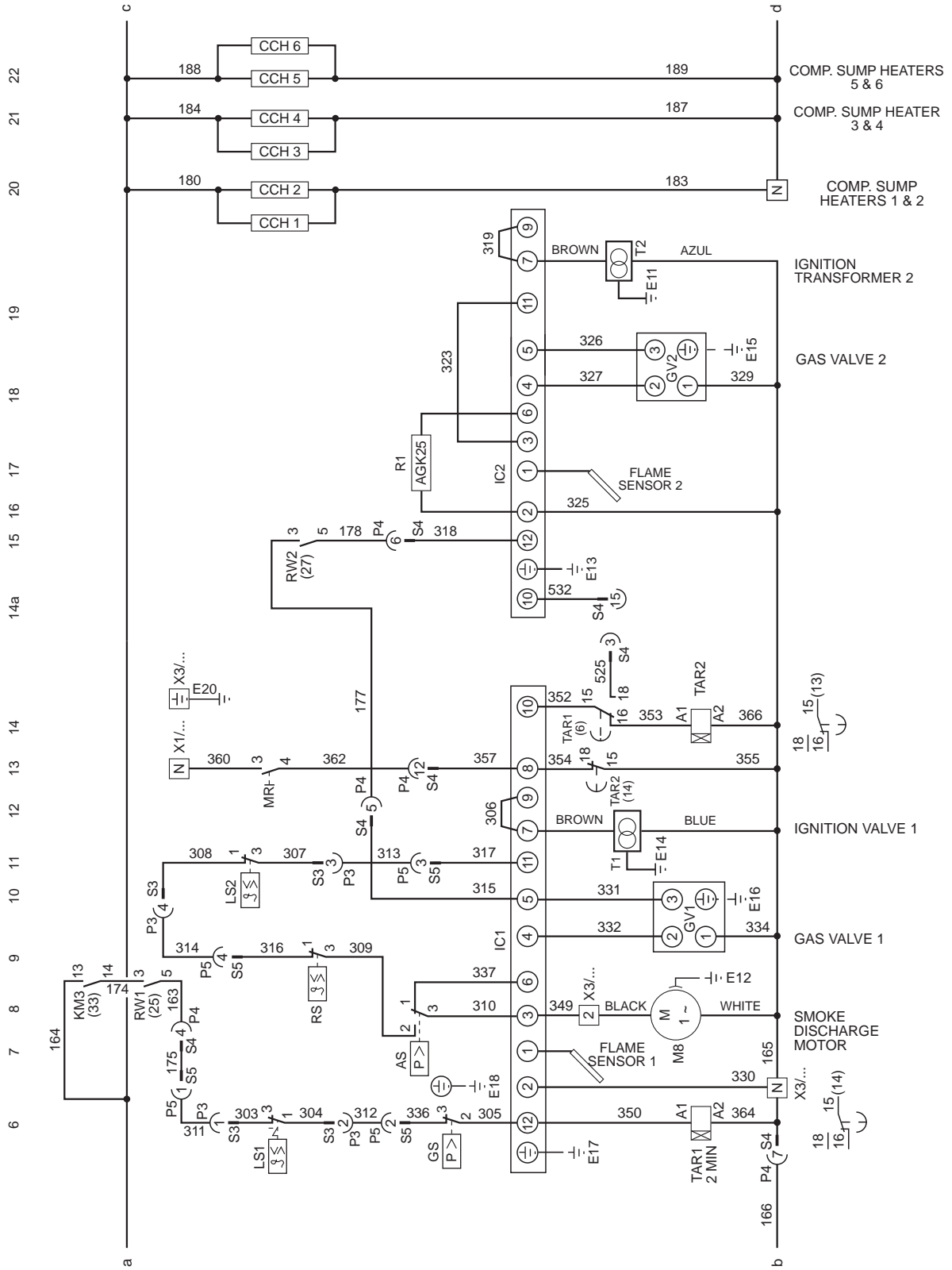
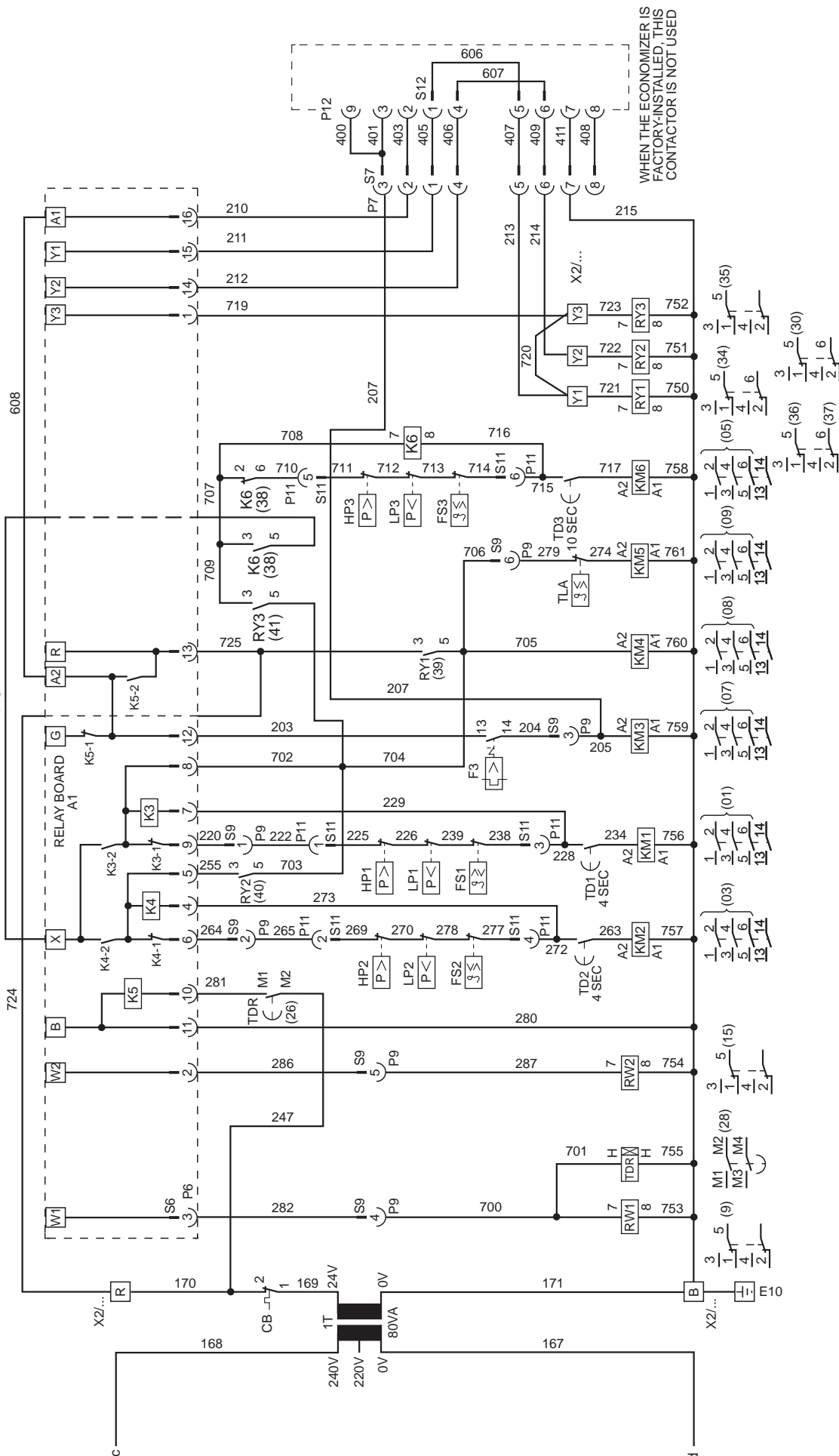


SEE WIRING DATA TABLE FOR SIZING OF AUTOMATIC SWITCH AND POWER SUPPLY LINE SECTION

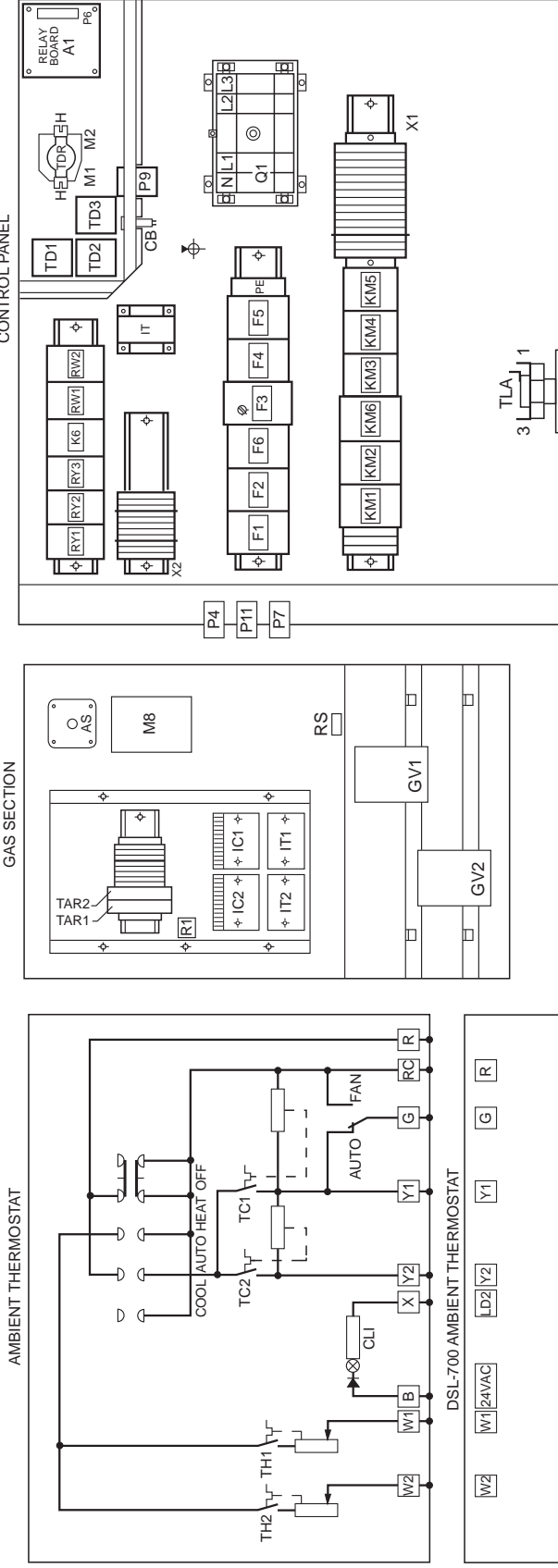


I-1849-2/b (2 of 4)
D2IG300N32050

23 24 25 26 27 28 29 30 31 32 33 34 35 36 37 38 39 40 41 42 43 44 45 46



UNIT WIRED FOR 66% OF CAPACITY IN 1st STAGE, AND 33% IN 2nd STAGE OF COOLING.
 FOR 33% IN THE 1st STAGE AND 66% IN THE 2nd PHASE, PLACE A 720 JUMPER FROM Y1 TO Y2.



- P3/S3, P5/S5.- TEMPERATURE SENSOR CONNECTOR
- P4/S4.- GAS CONTROL CONNECTOR
- P6/S6.- RELAY BOARD 24V CONNECTOR
- P7/S7, P12/S12.- ECONOMIZER CONNECTOR
- P9/S9.- 24 VAC PARTITION CONNECTOR
- P11/S11.- COMPRESSOR SAFETY CONNECTOR
- PE.- GROUNDING TERMINAL
- Q1.- MAIN SWITCH
- R1.- PTC-REF.AGK25
- RS.- IGNITION SEQUENCE RELAY
- RIS.- BURNER TEMPERATURE SENSOR
- RW1 & RW2.- HEAT RELAY, 1st & 2nd STAGES
- RY1, RY2 & RY3.- HEAT RELAY
- TAR1.- 4 MIN. GAS RESET TIMER
- TAR2.- 2 SEC. GAS RESET TIMER
- TD1.- 4 SEC. TIMER
- TD2.- 10 SEC. TIMER
- TDR.- DELAY RELAY
- X1.- POWER CONNECTING STRIP
- X2.- 24-VAC CONNECTING STRIP

- IT1.- 24-VAC TRANSFORMER
- A1.- 24-VAC THERMOSTAT RELAY BOARD
- AS.- AIR PRESSURE SWITCH
- CB.- 24-VAC CIRCUIT BREAKER
- CCH1 - 6.- SUMP HEATER
- CLI.- COMPRESSOR LOCK-OUT INDICATOR
- F1, F2 & F6.- COMPRESSOR AUTOMATIC SWITCHES
- F3.- AUTOMATIC SWITCH, INDOOR FAN
- F4.- AUTOMATIC SWITCH, OUTDOOR FANS 1 & 2
- F5.- AUTOMATIC SWITCH, 220 VAC
- GS.- GAS PRESSURE SWITCH
- GV1 & GV2.- GAS VALVES
- HP1, HP2 & HP3.- HIGH PRESSURE CONTROLS
- IC1 & IC2.- GAS CONTROL
- IT1 & IT2.- IGNITION TRANSFORMER
- KM1, KM2, KM6.- COMPRESSOR CONTACTS
- KM3.- INDOOR FAN CONTACT
- KM4.- OUTDOOR FAN CONTACT 1
- KM5.- OUTDOOR FAN CONTACT 2
- LP1 & LP2.- LOW PRESSURE CONTROL
- LS1.- MANUAL RESET TEMPERATURE LIMIT
- LS2.- AUTO RESET TEMPERATURE LIMIT
- M8.- SMOKE EVACUATION MOTOR
- OR.- OCCUPIED RELAY

