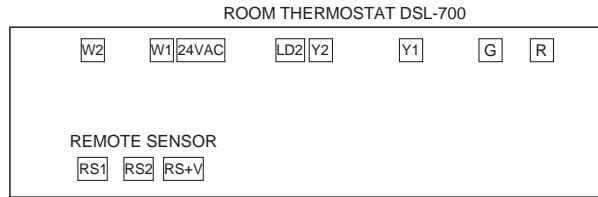
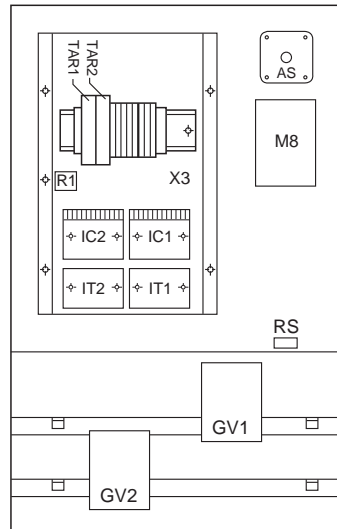


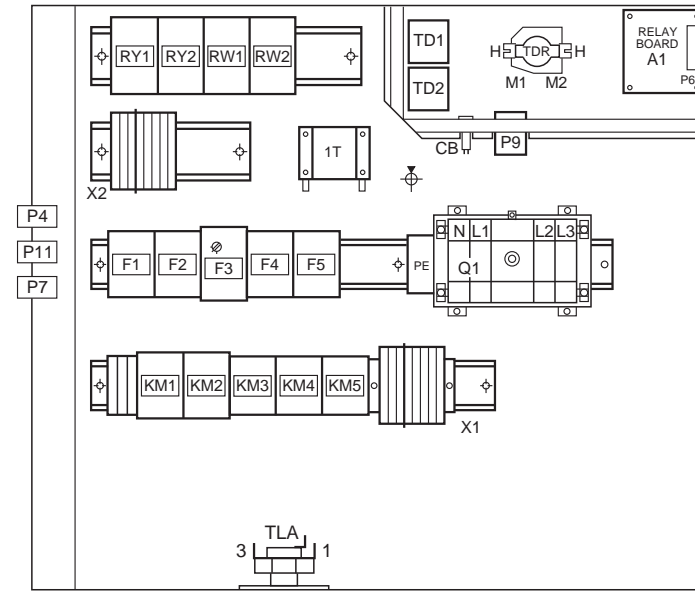
I-2254-4/a (4 of 5)  
 D3IG180N32050/JW  
 D3IG240N32050/JW



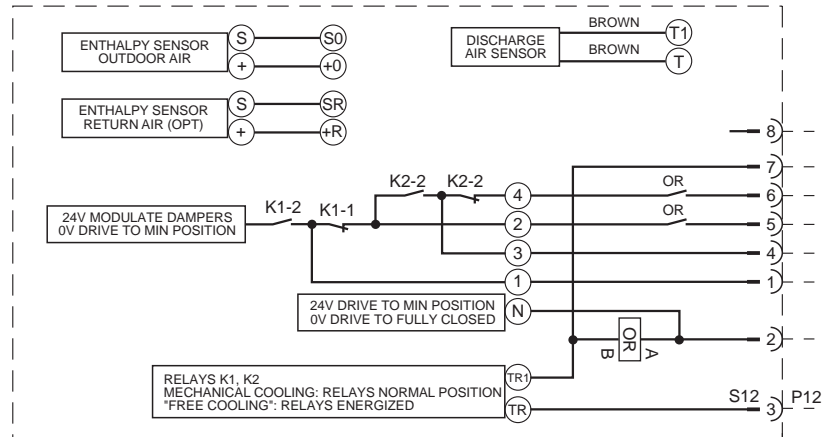
GAS COMPONENT MAP



COMPONENT MAP



ECONOMIZER SECTION (OPTION)



- 1T.- TRANSFORMER 24 VAC SEC
- A1.- RELAY BOARD THERMOSTAT 24VAC
- AS.- SWITCH, AIR PRESSURE
- CB.- CIRCUIT BREAKER 24 VAC
- CCH1 ÷ 4.- CRANKCASE HEATER
- CL1.- COMPRESSOR LOCKOUT INDICATOR LIGHT
- F1 AND F2.- CIRCUIT BREAKER, COMPRESSOR
- F3.- CIRCUIT BREAKER, ID BLOWER
- F4.- CIRCUIT BREAKER, OD FAN 1 & 2
- F5.- CIRCUIT BREAKER, 220 VAC
- GS.- SWITCH, GAS PRESSURE
- GV1 AND GV2.- GAS VALVE
- HP1 AND HP2.- HIGH PRESSURE CONTROL
- IC1 AND IC2.- GAS CONTROL
- IT1 AND IT2.- TRANSFORMER IGNITION VALVE
- KM1 AND KM2.- CONTACTOR, COMPRESSOR
- KM3.- CONTACTOR, ID BLOWER
- KM4.- CONTACTOR, OD FAN 1
- KM5.- CONTACTOR, OD FAN 2
- LP1 AND LP2.- LOW PRESSURE CONTROL
- LS1.- LIMIT SWITCH, MANUAL RESET
- LS2.- LIMIT SWITCH, AUTO RESET
- M8.- DRAF MOTOR
- OR.- OCCUPIED RELAY

- P3/S3, P5/S5.- CONNECTION GAS LIMIT SWITCH
- P4/S4.- CONNECTION GAS CONTROL
- P6/S6.- CONECTION RELAY BOARD 24 VAC
- P7/S7, P12/S12.- CONECTION ECONOMIZER CONTROL
- P9/S9.- CONNECTION 24 VAC PARTITION
- P11/S11.- CONNECTION SAFETY COMPRESSOR
- PE.- EARTH
- Q1.- POWER DISCONNECT SWITCH
- R1.- PTC- REF.AGK25
- RS.- BURNER ASSEMBLY HEATSTAT
- RW1, RW2, RW3 AND RW4.- RELAY STAGE HEAT
- RY1 AND RY2.- RELAY COOLING
- TAR1.- TIME DELAY RELAY GAS RESET 2 MIN.
- TAR2.- TIME DELAY RELAY GAS RESET 2 SEG.
- TD1.- TIME DELAY ON MAKE 4 SEC
- TD2.- TIME DELAY ON MAKE 10 SEC
- TDR.- TIME DELAY RELAY
- TLA.- OUTDOOR THERMOSTAT
- TP.- THERMAL PROTECTOR COND. FAN MOTORS
- X1.- TERMINAL BLOCK, HIGH VOLTAGE
- X2.- TERMINAL BLOCK, 24 VAC
- X3.- TERMINAL BLOCK, GAS